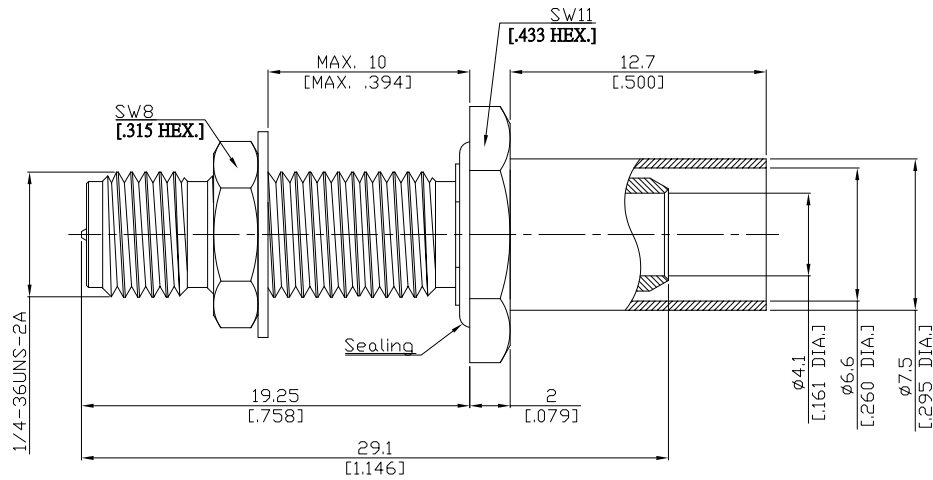


**SMA Reverse Polarity Straight Cable
Jack (Female), Bulkhead**

SMA7CA50-R240A/14



All dimensions are in mm [inch]

Tolerances according to DIN ISO 2768-mH

Interface

Derived from IEC 60169-15; MIL-STD-348A/310

Electrical Data

Impedance 50 Ω
 Frequency DC to 6 GHz
 VSWR (Return Loss) ≤ 1.30 (≥ 17.69 dB)

- Limitations are possible due to the used cable type and manufacturing process -

Mechanical Data

Coupling mechanisms Screw-lock
 Centre contact Soldered or Crimped
 Cable entry Crimped

Environmental Data

Temperature range -65°C to +165°C
 RoHS compliant

Material And Plating

Connector parts	Material	Plating
Centre contact	Brass	Gold plating(Nickel underplated)
Body	Brass	Copper-Tin-Zinc Alloy
Insulator	PTFE	
Gasket	Silicone Rubber	
Coupling nut	Brass	Copper-Tin-Zinc Alloy
Crimp ferrules	Brass	Copper-Tin-Zinc Alloy

Suitable Cables

LMR 240, BELDEN 7808A, BELDEN 9258, BELDEN H155, RNL-240

Packing

Single or 100

Related Document

Mounting Dimension MD20

Crimp Dimensions [HEX]

Crimp ferrule 6.48mm [.255 inch]
 Centre contact 1.73mm [.068 inch]