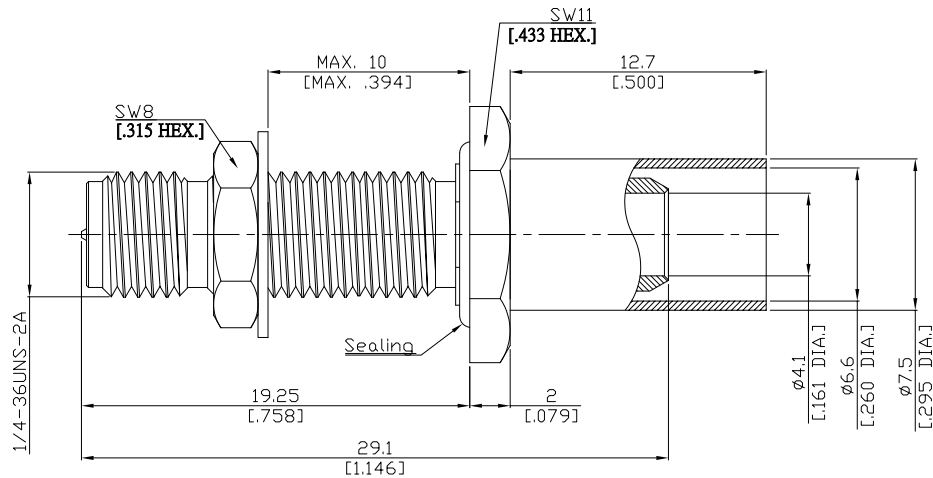


**SMA Reverse Polarity Straight Cable  
Jack (Female), Bulkhead**

**SMA7CA50-R240A/13**



All dimensions are in mm [inch]

Tolerances according to DIN ISO 2768-mH

**Interface**

Derived from IEC 60169-15; MIL-STD-348A/310

**Electrical Data**

Impedance 50 Ω  
Frequency DC to 6 GHz  
VSWR (Return Loss) ≤ 1.30 (≥ 17.69 dB)

- Limitations are possible due to the used cable type and manufacturing process -

**Mechanical Data**

Coupling mechanisms Screw-lock  
Centre contact Soldered or Crimped  
Cable entry Crimped

**Environmental Data**

Temperature range -65°C to +165°C  
RoHS compliant

**Material And Plating**

Connector parts	Material	Plating
Centre contact	Brass	Gold plating(Nickel underplated)
Body	Brass	Nickel
Insulator	PTFE	
Gasket	Silicone Rubber	
Coupling nut	Brass	Nickel
Crimp ferrules	Brass	Nickel

**Suitable Cables**

LMR 240, BELDEN 7808A, BELDEN 9258, BELDEN H155, RNL-240

**Packing**

Single or 100

**Related Document**

Mounting Dimension MD20

**Crimp Dimensions [HEX]**

Crimp ferrule 6.48mm [.255 inch]  
Centre contact 1.73mm [.068 inch]