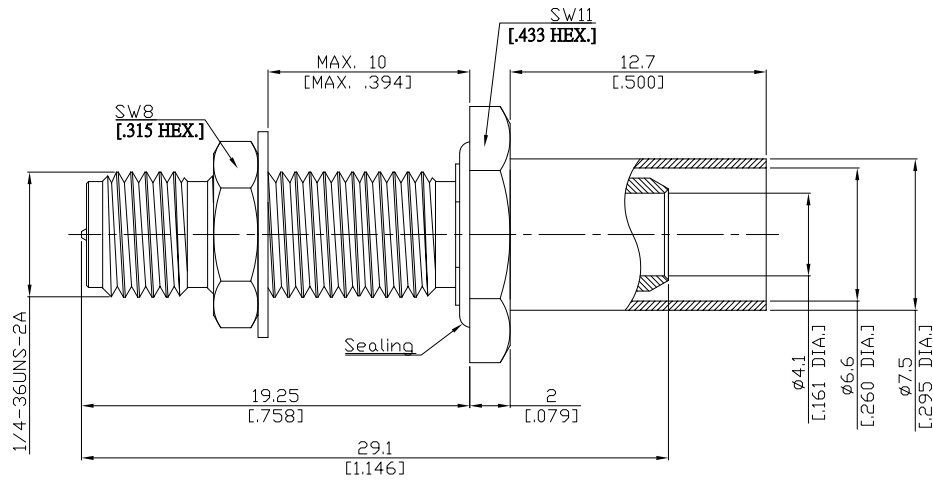


**SMA Reverse Polarity Straight Cable
Jack (Female), Bulkhead**

SMA7CA50-R240A/11



All dimensions are in mm [inch]

Tolerances according to DIN ISO 2768-mH

Interface

Derived from IEC 60169-15; MIL-STD-348A/310

Electrical Data

Impedance 50 Ω
Frequency DC to 6 GHz
VSWR (Return Loss) ≤ 1.30 (≥ 17.69 dB)

- Limitations are possible due to the used cable type and manufacturing process -

Mechanical Data

Coupling mechanisms Screw-lock
Centre contact Soldered or Crimped
Cable entry Crimped

Environmental Data

Temperature range -65°C to +165°C
RoHS compliant

Material And Plating

Connector parts	Material	Plating
Centre contact	Brass	Gold plating(Nickel underplated)
Body	Brass	Gold plating(Nickel underplated)
Insulator	PTFE	
Gasket	Silicone Rubber	
Coupling nut	Brass	Gold plating(Nickel underplated)
Crimp ferrules	Brass	Gold plating(Nickel underplated)

Suitable Cables

LMR 240, BELDEN 7808A, BELDEN 9258, BELDEN H155, RNL-240

Packing

Single or 100

Related Document

Mounting Dimension MD20

Crimp Dimensions [HEX]

Crimp ferrule 6.48mm [.255 inch]
Centre contact 1.73mm [.068 inch]