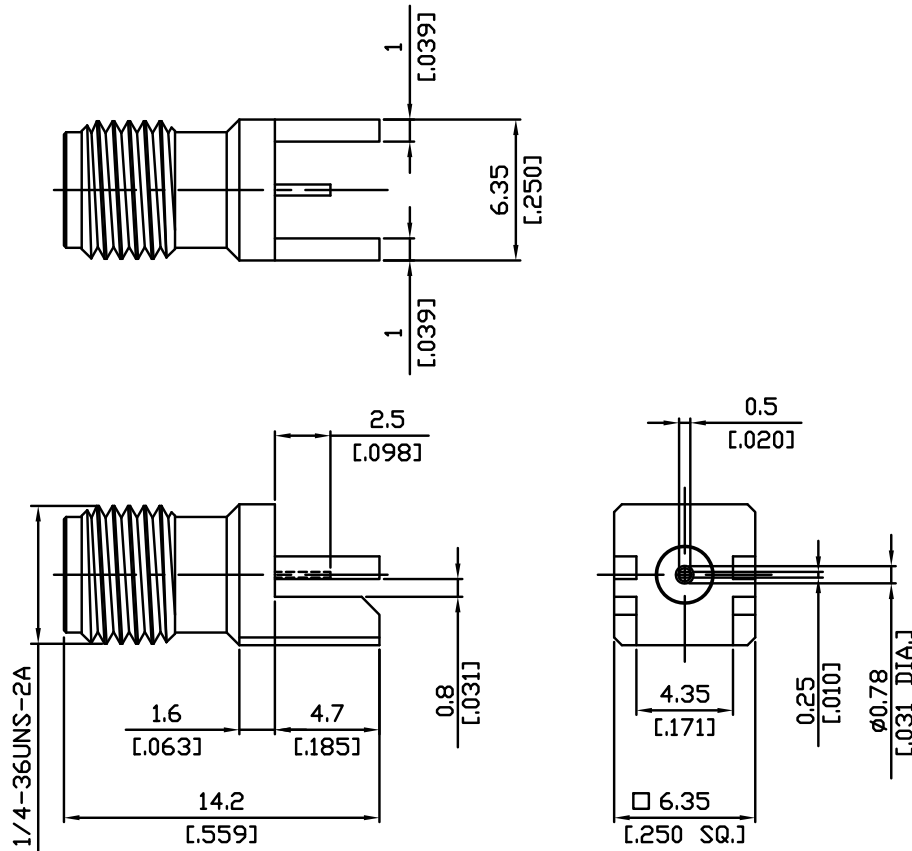


SMA Straight PCB Jack Flat Pin

SMA2H1B50-0080A/91



All dimensions are in mm [inch]

Tolerances according to DIN ISO 2768-mH

Interface

According to MIL-C-39012; MIL-STD-348A/310

Electrical Data

Impedance 50 Ω

Frequency DC to 18 GHz

Mechanical Data

Coupling mechanisms Screw-lock

Board mounting type End Launch

Weight 0.0015 kg

Environmental Data

Temperature range -65°C to +165°C

RoHS compliant

Material And Plating

| Connector parts | Material | Plating |
|-----------------|------------------|----------------------------------|
| Centre contact | Beryllium Copper | Gold plating(Nickel underplated) |
| Body | Brass | Gold plating(Nickel underplated) |
| Insulator | PTFE | |

Packing

Single or 100