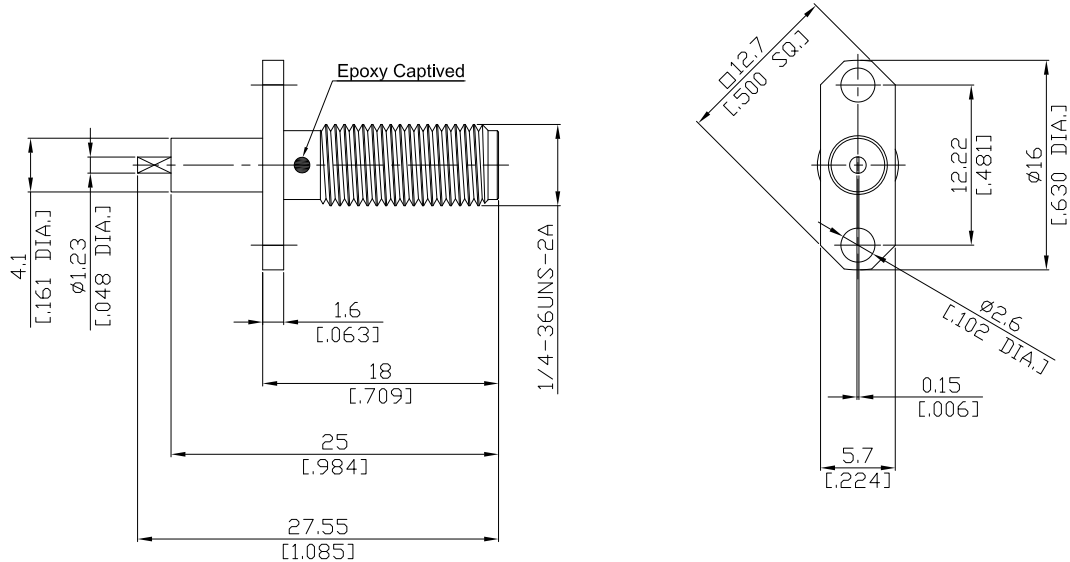


SMA Straight Panel Receptacle Jack (Flat End)

SMA2GTD50-2755A-EC/91



All dimensions are in mm [inch]

Tolerances according to DIN ISO 2768-mH

Interface

According to MIL-C-39012; MIL-STD-348A/310

Electrical Data

Impedance: 50 Ω
 Frequency: DC to 18 GHz
 VSWR (Return Loss): ≤ 1.25 (≥ 19.08 dB)
 Insertion Loss: $\leq 0.05 \times \sqrt{F}$ (GHz) dB

Mechanical Data

Coupling mechanisms: Screw-lock
 Weight: 0.0034 kg

Environmental Data

Temperature range: -65°C to +165°C
 RoHS: compliant

Material And Plating

Piece Parts	Material	Plating
Centre contact	Beryllium Copper	Gold plating(Nickel underplated)
Body	Brass	Gold plating(Nickel underplated)
Insulator	PTFE	

Packing

Single or 100

Related Document

Mounting Dimension: MD75