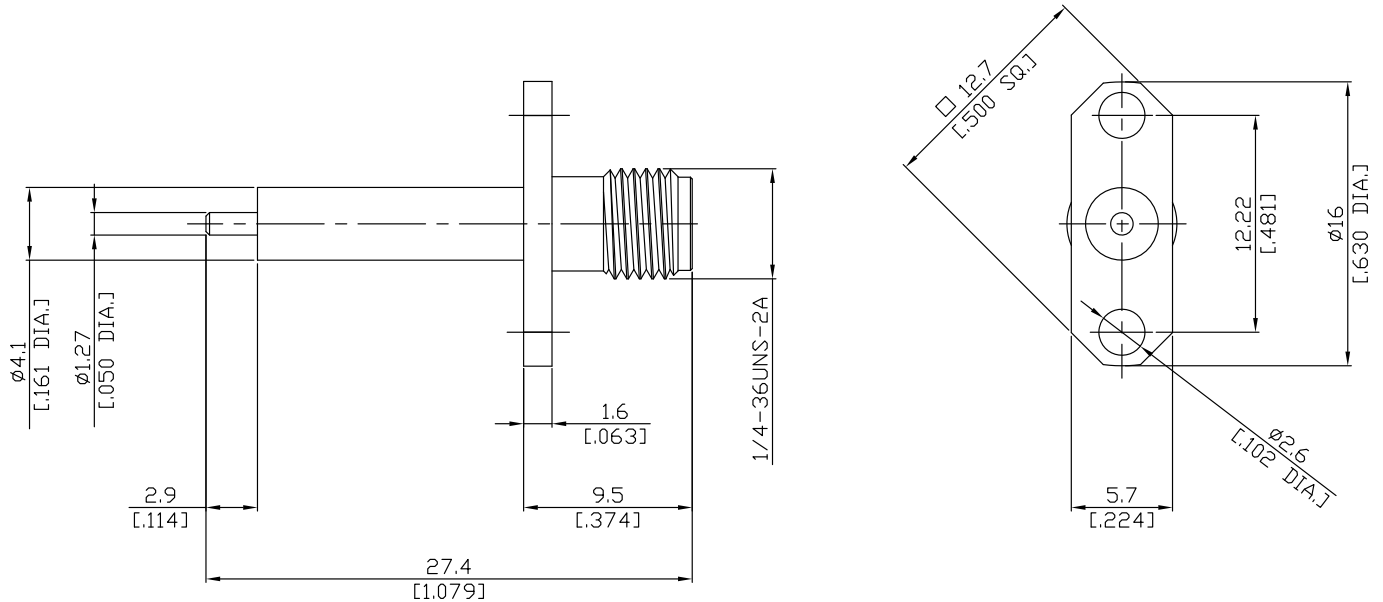


## SMA Straight Panel Receptacle Jack (Coaxial End)

## SMA2GTA50-2740A/9Q



All dimensions are in mm [inch]  
Tolerances according to DIN ISO 2768-mH

### Interface

According to MIL-C-39012; MIL-STD-348A/310

### Electrical Data

Impedance 50 Ω  
Frequency DC to 18 GHz  
VSWR (Return Loss) ≤ 1.25 (≥ 19.08 dB)  
Insertion Loss ≤ 0.05 × √F (GHz) dB

### Mechanical Data

Coupling mechanisms Screw-lock  
Weight 0.0021 kg

### Environmental Data

Temperature range -65°C to +165°C  
RoHS compliant

### Material And Plating

Piece Parts	Material	Plating
Centre contact	Beryllium Copper	Gold plating(Nickel underplated)
Body	Stainless Steel	Gold plating(Nickel underplated)
Insulator	PTFE	

### Packing

Single or 100

### Related Document

Mounting Dimension MD75