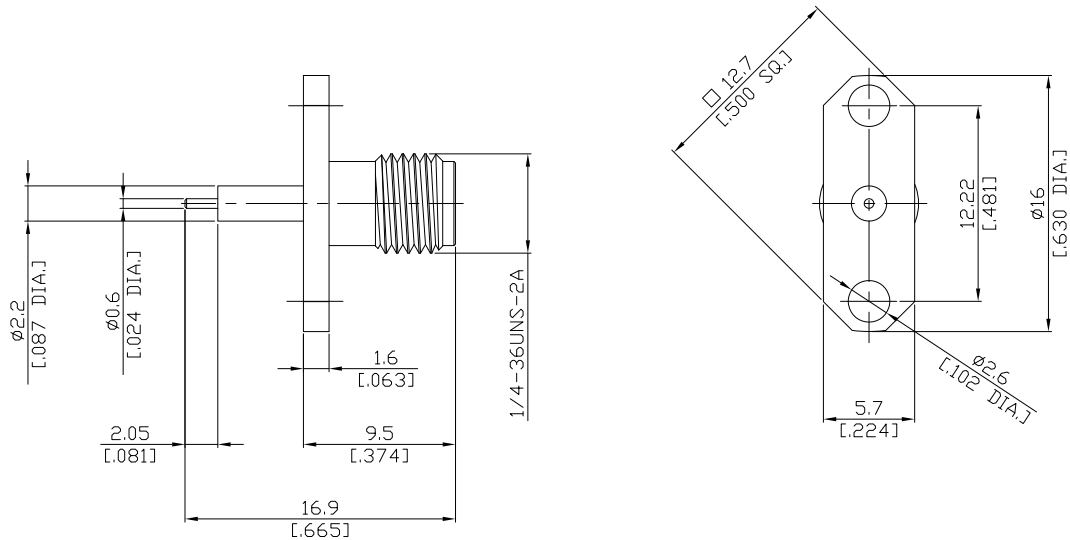


SMA Straight Panel Receptacle Jack (Coaxial End)

SMA2GTA50-1690A/91



All dimensions are in mm [inch]
Tolerances according to DIN ISO 2768-mH

Interface
According to MIL-C-39012;MIL-STD-348A/310

Electrical Data
Impedance 50 Ω
Frequency DC to 18 GHz
VSWR (Return Loss) ≤ 1.25 (≥ 19.08 dB)
Insertion Loss ≤ 0.05 x √F (GHz) dB

Mechanical Data
Coupling mechanisms Screw-lock
Weight 0.0017 kg

Environmental Data
Temperature range -65°C to +165°C
RoHS compliant

| Material And Plating | | |
|----------------------|------------------|----------------------------------|
| Piece Parts | Material | Plating |
| Centre contact | Beryllium Copper | Gold plating(Nickel underplated) |
| Body | Brass | Gold plating(Nickel underplated) |
| Insulator | PTFE | |

Packing
Single or 100

Related Document
Mounting Dimension MD76