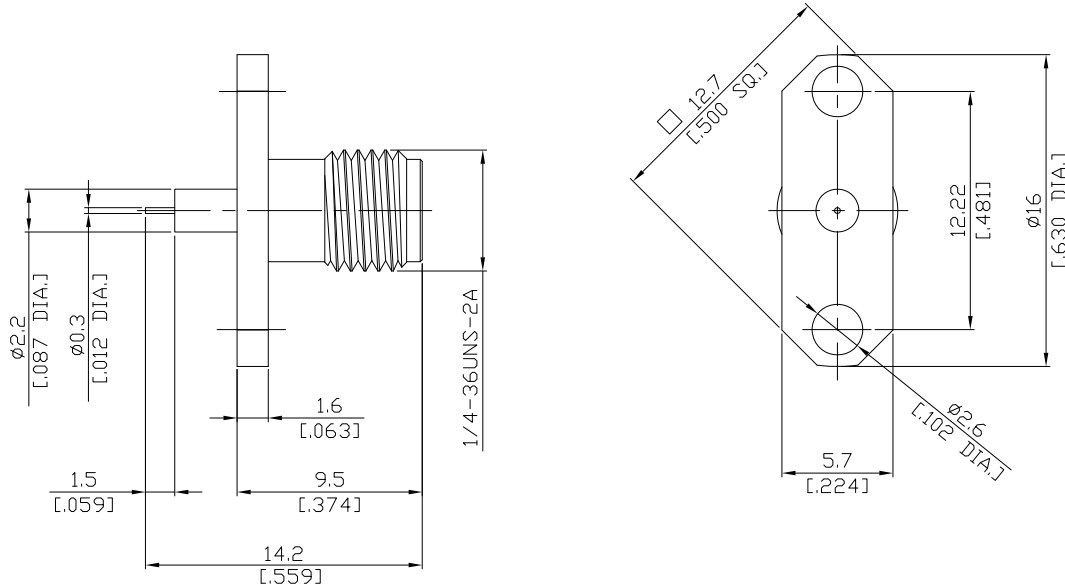


SMA Straight Panel Receptacle Jack (Coaxial End)

SMA2GTA50-1420A/91



All dimensions are in mm [inch]

Tolerances according to DIN ISO 2768-mH

Interface

According to MIL-C-39012; MIL-STD-348A/310

Electrical Data

Impedance 50 Ω
 Frequency DC to 18 GHz
 VSWR (Return Loss) ≤ 1.25 (≥ 19.08 dB)
 Insertion Loss $\leq 0.05 \times \sqrt{F}$ (GHz) dB

Mechanical Data

Coupling mechanisms Screw-lock
 Weight 0.0016 kg

Environmental Data

Temperature range -65°C to +165°C
 RoHS compliant

Material And Plating

| Piece Parts | Material | Plating |
|----------------|------------------|----------------------------------|
| Centre contact | Beryllium Copper | Gold plating(Nickel underplated) |
| Body | Brass | Gold plating(Nickel underplated) |
| Insulator | PTFE | |

Packing

Single or 100

Related Document

Mounting Dimension MD76