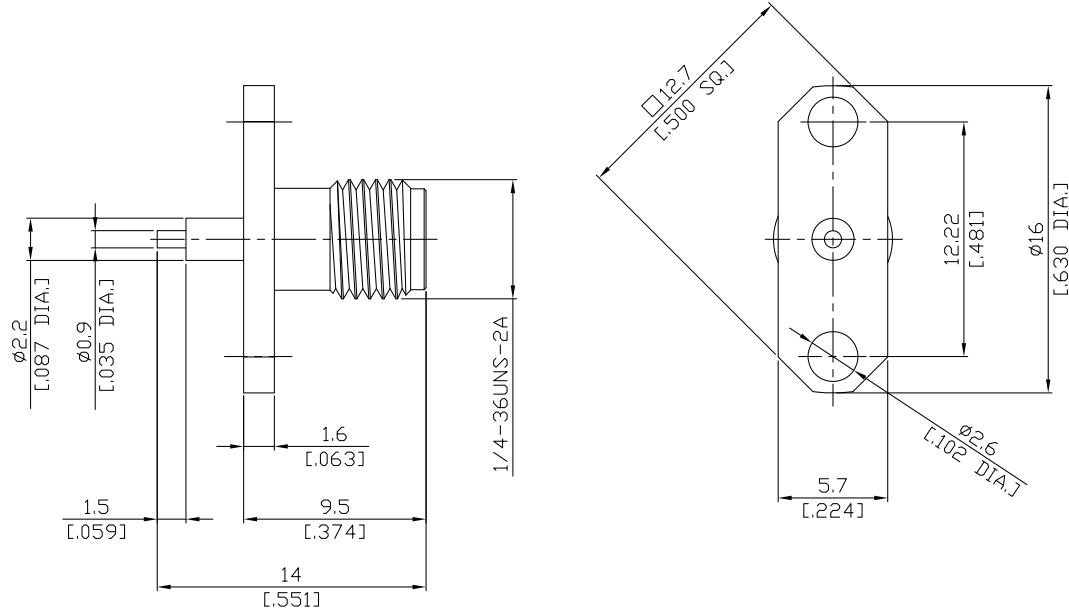


**SMA Straight Panel Receptacle Jack  
(Coaxial End)**
**SMA2GTA50-1400B/9X**


All dimensions are in mm [inch]

Tolerances according to DIN ISO 2768-mH

**Interface**

According to MIL-C-39012; MIL-STD-348A/310

**Electrical Data**

Impedance 50  $\Omega$   
 Frequency DC to 18 GHz  
 VSWR (Return Loss)  $\leq 1.25$  ( $\geq 19.08$  dB)  
 Insertion Loss  $\leq 0.05 \times \sqrt{F}$  (GHz) dB

**Mechanical Data**

Coupling mechanisms Screw-lock  
 Weight 0.0017 kg

**Environmental Data**

Temperature range -65°C to +165°C  
 RoHS compliant

**Material And Plating**

Piece Parts	Material	Plating
Centre contact	Beryllium Copper	Gold plating(Nickel underplated)
Body	Stainless Steel	Passivated
Insulator	PTFE	

**Packing**

Single or 100

**Related Document**

Mounting Dimension MD76

The facts and figures herein are carefully compiled to the best of our knowledge, but they are intended for general informational purposes only. In the effort to improve our products, we reserve the right to make changes judged to be necessary.

Rev.:  
Date:  
19/11/10

Rosnol RF/Microwave Technology  
[www.rosnol.com](http://www.rosnol.com) ; [info@rosnol.com](mailto:info@rosnol.com)  
 Phone:+886-3-463-5095  
 Fax:+886-3-463-5952

Page  
1/1