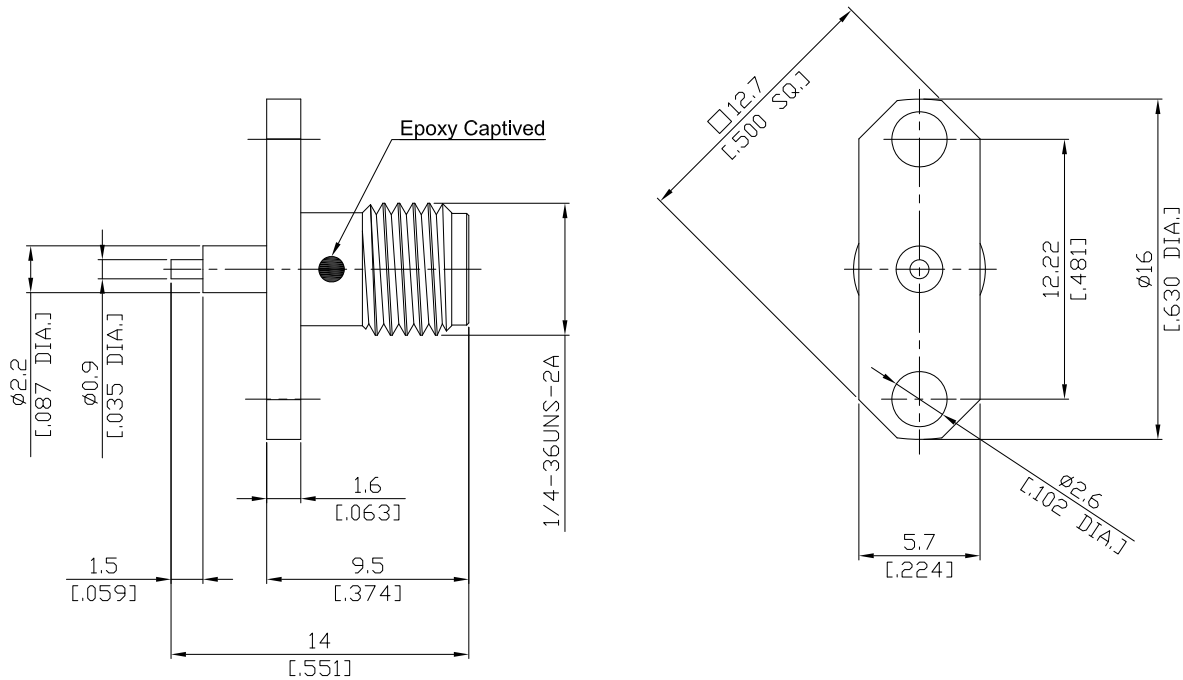


**SMA Straight Panel Receptacle Jack  
(Coaxial End)**
**SMA2GTA50-1400B-EC/9X**


All dimensions are in mm [inch]  
Tolerances according to DIN ISO 2768-mH

**Interface**  
According to MIL-C-39012;MIL-STD-348A/310

**Electrical Data**  
Impedance 50 Ω  
Frequency DC to 18 GHz  
VSWR (Return Loss) ≤ 1.25 (≥ 19.08 dB)  
Insertion Loss ≤ 0.05 x √F (GHz) dB

**Mechanical Data**  
Coupling mechanisms Screw-lock  
Weight 0.0017 kg

**Environmental Data**  
Temperature range -65°C to +165°C  
RoHS compliant

Material And Plating		
Piece Parts	Material	Plating
Centre contact	Beryllium Copper	Gold plating(Nickel underplated)
Body	Stainless Steel	Passivated
Insulator	PTFE	

**Packing**  
Single or 100

**Related Document**  
Mounting Dimension MD76