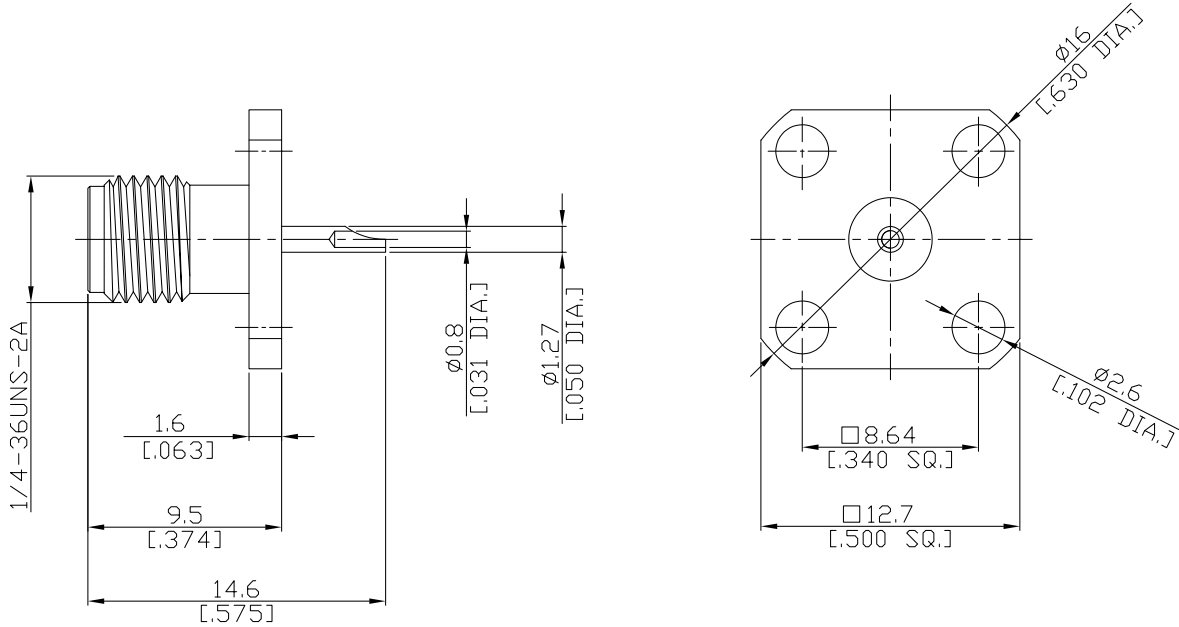


SMA Straight Panel Receptacle Jack  
(Solder End)

SMA2GFB50-1460A/9Q



All dimensions are in mm [inch]  
Tolerances according to DIN ISO 2768-mH

**Interface**

According to IEC 60169-15; MIL-C-39012; MIL-STD-348A/310

**Electrical Data**

Impedance	50 Ω
Frequency	DC to 18 GHz
Volt rating	≤ 335 V rms (@ sea level)
Corona, 70,000 ft	≥ 250 V rms
Dielectric withstanding voltage	≥ 1000 V rms (@ sea level)
Center contact resistance	≤ 3.0 Milliohms
Outer contact resistance	≤ 2.0 Milliohms
RF high potential	≥ 670 V rms (5 MHz @ sea level)
Insulation resistance	≥ 5000 Megaohms

**Mechanical Data**

Coupling mechanisms	Screw-lock
Weight	N/A
Recommended mating torque	7-10 in-lbs
Mating - insertion	≤ 3 lbs
Mating - withdrawal	≥ 1 oz
Force to engage-disengage	≤ 2 in-lbs
Axial center contact captivation	6 lbs
Radial center contact captivation	4 in-oz

The facts and figures herein are carefully compiled to the best of our knowledge, but they are intended for general informational purposes only. In the effort to improve our products, we reserve the right to make changes judged to be necessary.

Rev.:-	Rosnol RF/Microwave Technology <a href="http://www.rosnol.com">www.rosnol.com</a> ; <a href="mailto:info@rosnol.com">info@rosnol.com</a>	Page 1/2
Date: 19/11/10	Phone: +886-3-463-5095 / Fax: +886-3-463-5952 N-CAGE Code: SFKK0	

**SMA Straight Panel Receptacle Jack  
(Solder End)**

**SMA2GFB50-1460A/9Q**

**Environmental Data**

Temperature range	-65°C to +125°C
RoHS	compliant
Thermal shock	MIL-STD-202, Meth. 107, Cond. B
Corrosion	MIL-STD-202, Meth. 101, Cond. B
Vibration	MIL-STD-202, Meth. 204, Cond. B
Shock	MIL-STD-202, Meth. 213, Cond. I
Moisture resistance	MIL-STD-202, Meth. 106 (excl. vibration)

**Material And Plating**

Piece Parts	Material	Plating
Centre contact	Beryllium Copper	Gold plating(Nickel underplated)
Body	Stainless Steel	Gold plating(Nickel underplated)
Insulator	PTFE	

**Packing**

Single or 100

**Related Document**

Mounting Dimension MD71