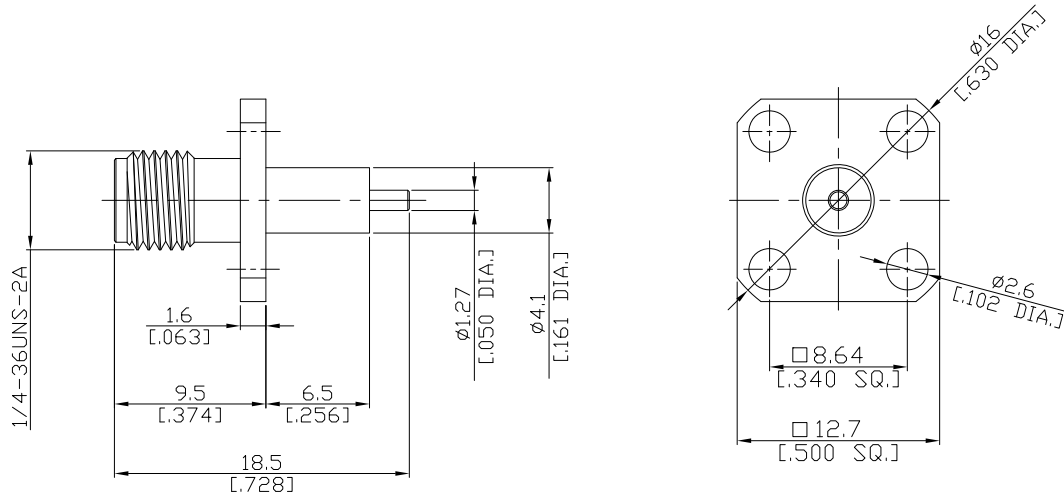


SMA Straight Panel Receptacle Jack (Coaxial End)

SMA2GFA50-1850A/9X



All dimensions are in mm [inch]
Tolerances according to DIN ISO 2768-mH

Interface

According to MIL-C-39012; MIL-STD-348A/310

Electrical Data

Impedance 50 Ω
Frequency DC to 18 GHz
VSWR (Return Loss) ≤ 1.25 (≥ 19.08 dB)
Insertion Loss $\leq 0.05 \times \sqrt{F}$ (GHz) dB

Mechanical Data

Coupling mechanisms Screw-lock
Weight N/A

Environmental Data

Temperature range -65°C to $+165^{\circ}\text{C}$
RoHS compliant

Material And Plating

Piece Parts	Material	Material
Centre contact	Beryllium Copper	Beryllium Copper
Body	Stainless Steel	Stainless Steel
Insulator	PTFE	PTFE

Packing

Single or 100

Related Document

Mounting Dimension MD71