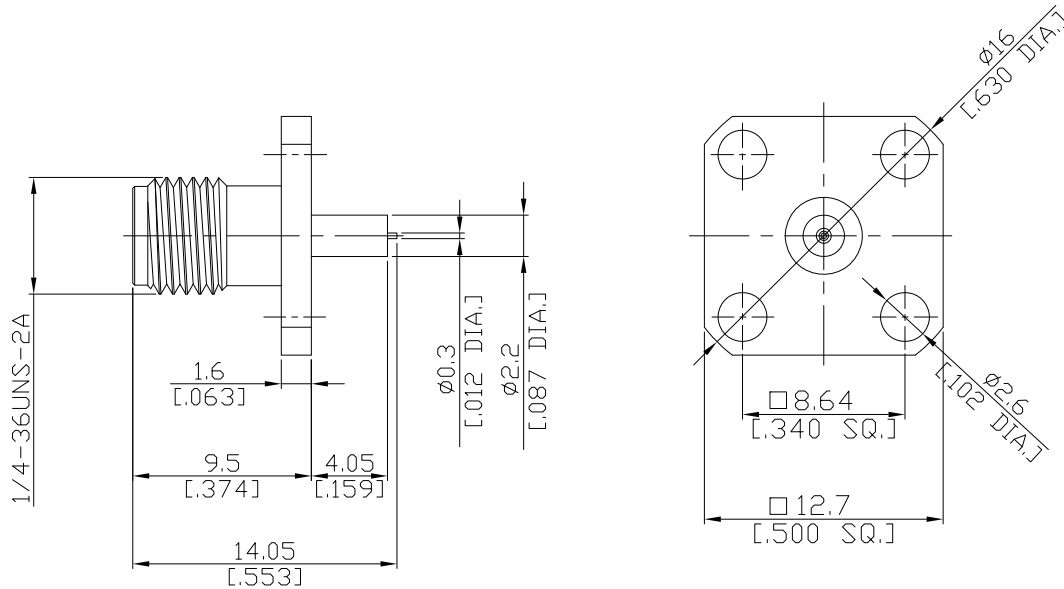


SMA Straight Panel Receptacle Jack (Coaxial End)

SMA2GFA50-1405A/91



All dimensions are in mm [inch]
Tolerances according to DIN ISO 2768-mH

Interface

According to MIL-C-39012;MIL-STD-348A/310

Electrical Data

Impedance: 50 Ω
Frequency: DC to 18 GHz
VSWR (Return Loss): ≤ 1.25 (≥ 19.08 dB)
Insertion Loss: ≤ 0.05 x √F (GHz) dB

Mechanical Data

Coupling mechanisms: Screw-lock
Weight: N/A

Environmental Data

Temperature range: -65°C to +165°C
RoHS: compliant

Material And Plating

Piece Parts	Material	Plating
Centre contact	Beryllium Copper	Gold plating(Nickel underplated)
Body	Brass	Gold plating(Nickel underplated)
Insulator	PTFE	

Packing

Single or 100

Related Document

Mounting Dimension: MD78