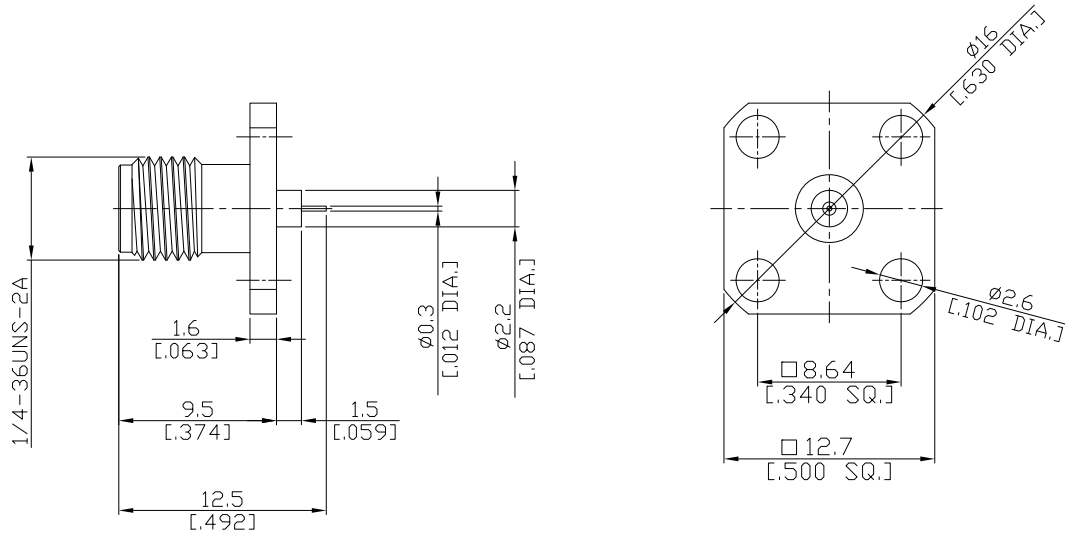


## SMA Straight Panel Receptacle Jack (Coaxial End)

## SMA2GFA50-1250A/9X



All dimensions are in mm [inch]

Tolerances according to DIN ISO 2768-mH

### Interface

According to MIL-C-39012;MIL-STD-348A/310

### Electrical Data

Impedance 50 Ω  
 Frequency DC to 18 GHz  
 VSWR (Return Loss) ≤ 1.25 (≥ 19.08 dB)  
 Insertion Loss ≤ 0.05 × √F (GHz) dB

### Mechanical Data

Coupling mechanisms Screw-lock  
 Weight N/A

### Environmental Data

Temperature range -65°C to +165°C  
 RoHS compliant

### Material And Plating

| Piece Parts    | Material         | Plating                          |
|----------------|------------------|----------------------------------|
| Centre contact | Beryllium Copper | Gold plating(Nickel underplated) |
| Body           | Stainless Steel  | Passivated                       |
| Insulator      | PTFE             |                                  |

### Packing

Single or 100

### Related Document

Mounting Dimension MD78