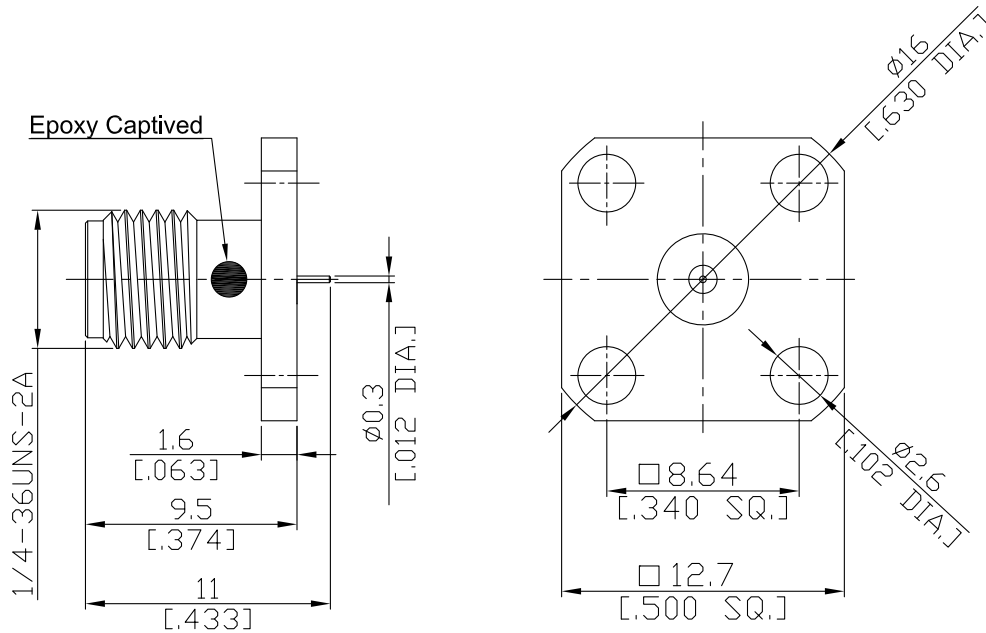


SMA Straight Panel Receptacle Jack (Coaxial End)

SMA2GFA50-1100A-EC/91



All dimensions are in mm [inch]
Tolerances according to DIN ISO 2768-mH

Interface
According to MIL-C-39012;MIL-STD-348A/310

Electrical Data
Impedance 50 Ω
Frequency DC to 18 GHz
VSWR (Return Loss) ≤ 1.25 (≥ 19.08 dB)
Insertion Loss ≤ 0.05 x √F (GHz) dB

Mechanical Data
Coupling mechanisms Screw-lock
Weight N/A

Environmental Data
Temperature range -65°C to +165°C
RoHS compliant

Piece Parts	Material	Plating
Centre contact	Beryllium Copper	Gold plating(Nickel underplated)
Body	Brass	Gold plating(Nickel underplated)
Insulator	PTFE	

Packing
Single or 100

Related Document
Mounting Dimension MD71

The facts and figures herein are carefully compiled to the best of our knowledge, but they are intended for general informational purposes only. In the effort to improve our products, we reserve the right to make changes judged to be necessary.

Rev.: Rosnol RF/Microwave Technology
www.rosnol.com ; info@rosnol.com
Date: 19/11/10
Phone:+886-3-463-5095
Fax:+886-3-463-5952