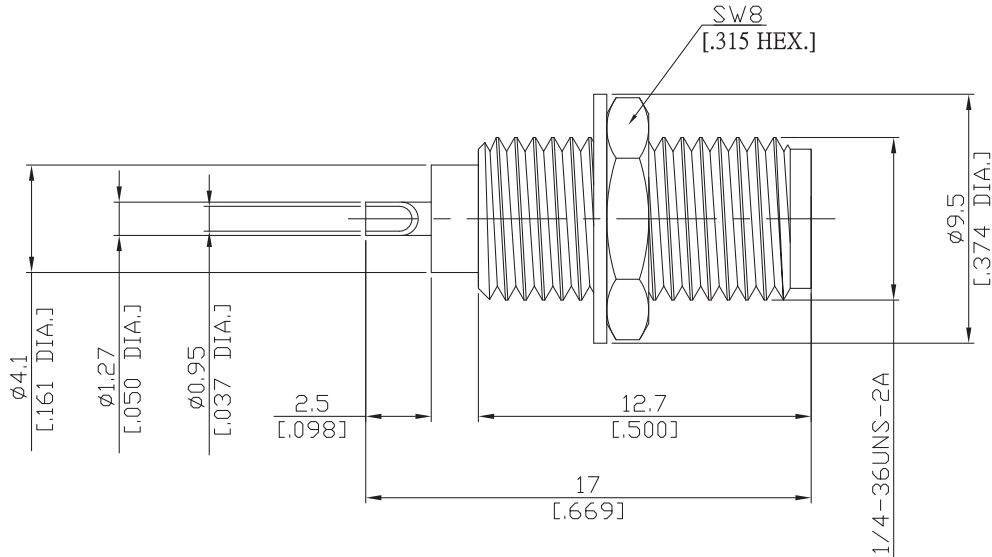


SMA Straight Bulkhead Receptacle Jack  
Solder End

SMA2FB50-1700C/91



All dimensions are in mm [inch]  
Tolerances according to DIN ISO 2768-mH

**Interface**

According to IEC 60169-15; MIL-C-39012; MIL-STD-348A/310

**Electrical Data**

Impedance 50 Ω  
Frequency DC to 18 GHz  
VSWR (Return Loss) ≤ 1.25 (≥ 19.08 dB)  
Insertion Loss ≤ 0.05 x √F (GHz) dB

**Mechanical Data**

Coupling mechanisms Screw-lock  
Weight 0.0021 kg

**Environmental Data**

Temperature range -65°C to +165°C  
RoHS compliant

**Material And Plating**

Piece Parts	Material	Plating
Centre contact	Beryllium Copper	Gold plating(Nickel underplated)
Body	Brass	Gold plating(Nickel underplated)
Insulator	PTFE	
Fastening nut	Brass	Gold plating(Nickel underplated)
Washer	Brass	Gold plating(Nickel underplated)

**Packing**

Single or 100

**Related Document**

Mounting Dimension MD28