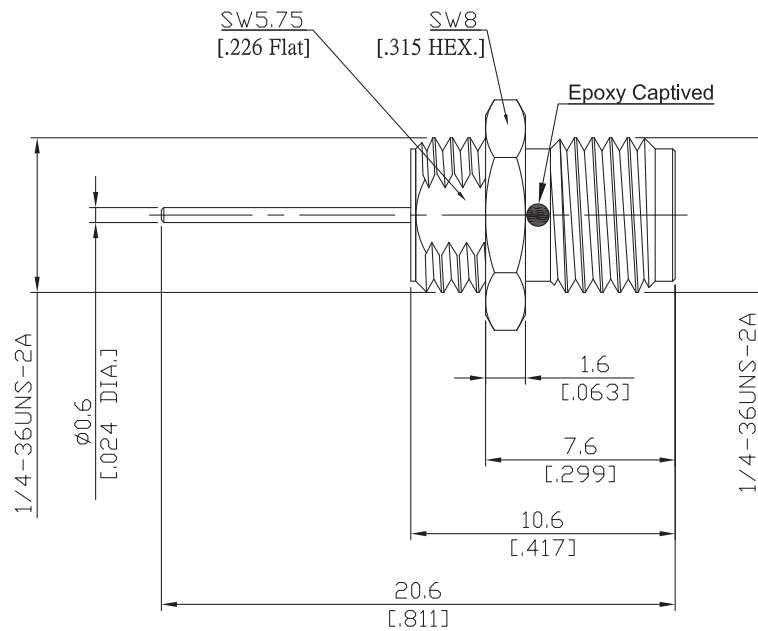


SMA Straight Bulkhead Receptacle Jack  
Coaxial End

SMA2FA50-2060A-EC/91



All dimensions are in mm [inch]

Tolerances according to DIN ISO 2768-mH

**Interface**

According to MIL-C-39012;MIL-STD-348A/310

**Electrical Data**

Impedance 50 Ω  
 Frequency DC to 18 GHz  
 VSWR (Return Loss) ≤ 1.25 (≥ 19.1 dB)  
 Insertion Loss ≤ 0.05 x √F (GHz) dB

**Mechanical Data**

Coupling mechanisms Screw-lock  
 Weight 0.0016 kg

**Environmental Data**

Temperature range -65°C to +165°C  
 RoHS compliant

**Material And Plating**

Piece Parts	Material	Plating
Centre contact	Beryllium Copper	Gold plating(Nickel underplated)
Body	Brass	Gold plating(Nickel underplated)
Insulator	PTFE	

**Packing**

Single or 100

**Related Document**

Mounting Dimension MD57