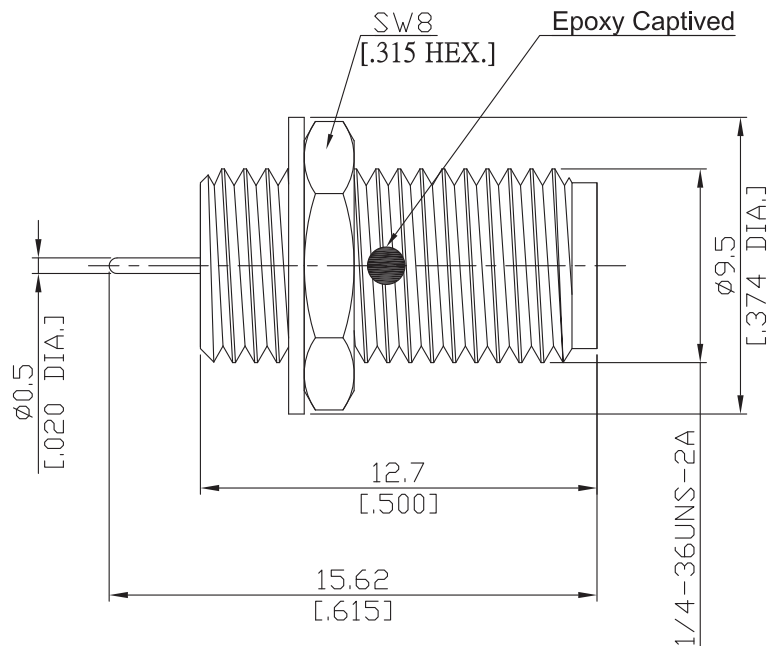


SMA Straight Bulkhead Receptacle Jack
Coaxial End

SMA2FA50-1562A-EC/9X



All dimensions are in mm [inch]
Tolerances according to DIN ISO 2768-mH

Interface

According to IEC 60169-15; MIL-C-39012; MIL-STD-348A/310

Electrical Data

Impedance 50 Ω
Frequency DC to 18 GHz
VSWR (Return Loss) ≤ 1.25 (≥ 19.08 dB)
Insertion Loss ≤ 0.05 x √F (GHz) dB

Mechanical Data

Coupling mechanisms Screw-lock
Weight 0.0026 kg

Environmental Data

Temperature range -65°C to +165°C
RoHS compliant

Material And Plating

| Piece Parts | Material | Plating |
|----------------|------------------|----------------------------------|
| Centre contact | Beryllium Copper | Gold plating(Nickel underplated) |
| Body | Stainless Steel | Passivated |
| Insulator | PTFE | |
| Fastening nut | Brass | Copper-Tin-Zinc Alloy |
| Washer | Brass | Copper-Tin-Zinc Alloy |

Packing

Single or 100

Related Document

Mounting Dimension MD28