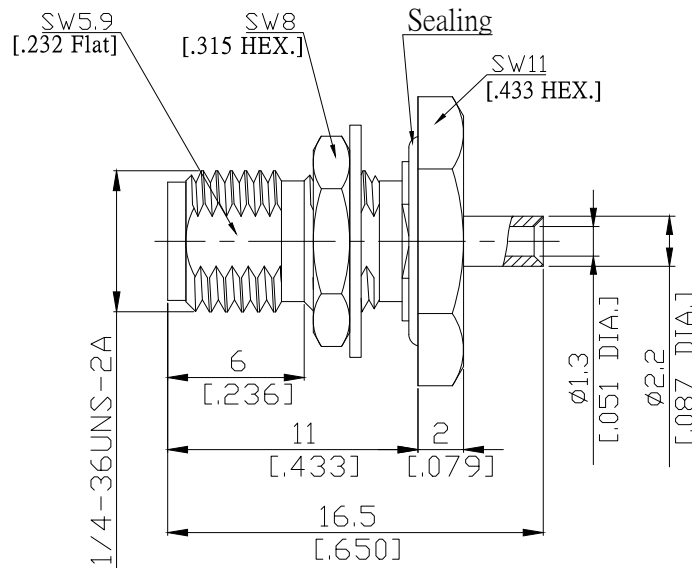


SMA Straight Bulkhead Cable Jack

SMA2EA50-0047C/91



All dimensions are in mm [inch]

Interface

According to IEC 60169-15; MIL-C-39012; MIL-STD-348A/310

Electrical Data

Impedance 50 Ω
 Frequency DC to 18 GHz
 VSWR (Return Loss) ≤ 1.25 (≥ 19.1 dB)
 Insertion Loss ≤ 0.04 x √F (GHz) dB

- Limitations are possible due to the used cable type -

Mechanical Data

Coupling mechanisms Screw-lock
 Centre contact Soldered or Crimped
 Cable entry Soldered

Environmental Data

Temperature range -65°C to +165°C
 RoHS compliant

Material And Plating

Connector parts	Material	Plating
Centre contact	Beryllium Copper	Gold-Nickel-Phosphorus Alloy
Body	Brass	Gold-Nickel-Phosphorus Alloy
Insulator	PTFE	
Gasket	Silicone Rubber	
Fastening nut	Brass	Gold-Nickel-Phosphorus Alloy
Washer	Brass	Gold-Nickel-Phosphorus Alloy

Suitable Cables

RSR-047, RSF-047, RSF-047-FEP, RSF-047-PVC

Packing

Single or 100

Related Document

Mounting Dimension MD19