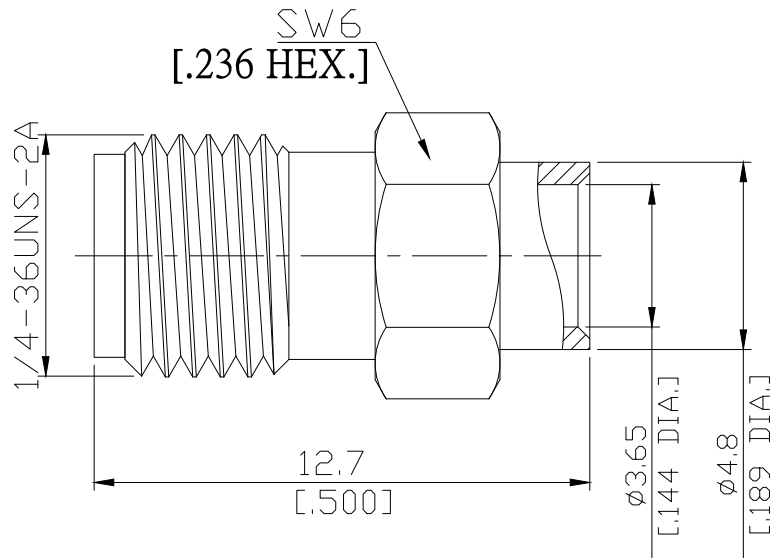


SMA Straight Cable Jack

SMA2E50-0141A/91



All dimensions are in mm [inch]  
Tolerances according to DIN ISO 2768- mH

**Interface**

According to IEC 60169-15; MIL-C-39012; MIL-STD-348A/310

**Electrical Data**

Impedance 50 Ω  
Frequency DC to 18 GHz  
VSWR (Return Loss) ≤ 1.20 (≥ 20.83 dB)  
Insertion Loss ≤ 0.03 x √F (GHz) dB

- Digressions are possible due to the used cable type and manufacturing method -

**Mechanical Data**

Coupling mechanisms Screw-lock  
Centre contact Soldered or Crimped  
Cable entry Soldered

**Environmental Data**

Temperature range -65°C to +165°C  
RoHS compliant

**Material And Plating**

Connector parts	Material	Plating
Centre contact	Beryllium Copper	Gold plating(Nickel underplated)
Body	Brass	Gold plating(Nickel underplated)
Insulator	PTFE	

**Suitable Cables**

RSR-141, RSF-141, RSF-141-FEP, RSF-141-PVC, RG-402, BELDEN 1673A , BELDEN 1673J

**Packing**

Single or 100