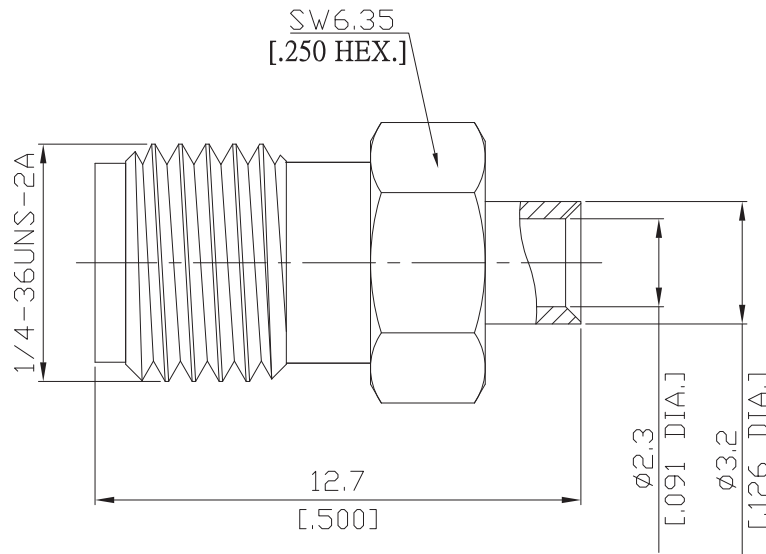


SMA Straight Cable Jack

SMA2E50-0085A/9Q



All dimensions are in mm [inch]  
Tolerances according to DIN ISO 2768-mH

**Interface**  
According to IEC 60169-15; MIL-C-39012; MIL-STD-348A/310

**Electrical Data**  
Impedance 50 Ω  
Frequency DC to 18 GHz  
VSWR (Return Loss) ≤ 1.20 (≥ 20.83 dB)  
Insertion Loss ≤ 0.03 × √F (GHz) dB

- Limitations are possible due to the used cable type -

**Mechanical Data**  
Coupling mechanisms Screw-lock  
Centre contact Soldered or Crimped  
Cable entry Soldered

**Environmental Data**  
Temperature range -65°C to +165°C  
RoHS compliant

**Material And Plating**

Connector parts	Material	Plating
Centre contact	Beryllium Copper	Gold plating(Nickel underplated)
Body	Stainless Steel	Gold plating(Nickel underplated)
Insulator	PTFE	

**Suitable Cables**  
RSR-086, RSF-086, RSF-086-FEP, RSF-086-PVC, RG-405; BELDEN 1671A; ELDEN 1671J

**Packing**  
Single or 100