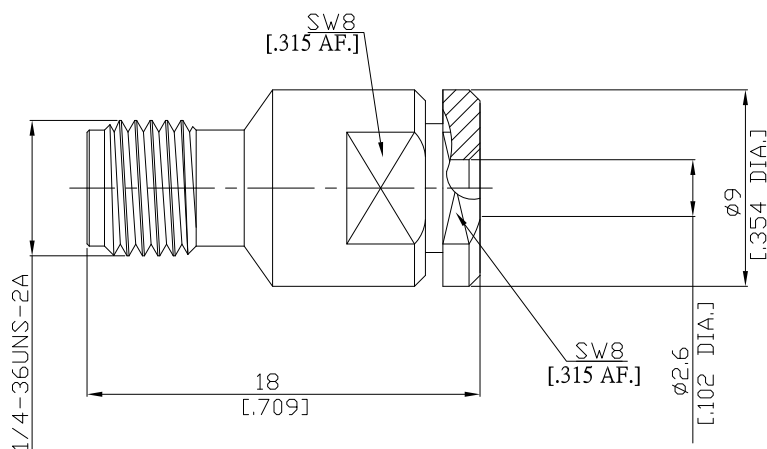




SMA Straight Cable Clamp Jack

SMA2D50-G316A/91



All dimensions are in mm [inch]
Tolerances according to DIN ISO 2768-mH

Interface

According to IEC 60169-15; MIL-C-39012; MIL-STD-348A/310

Electrical Data

Impedance 50 Ω
Frequency DC to 12.4 GHz
VSWR (Return Loss) ≤ 1.04 (≥ 34.2 dB), DC to 1 GHz
≤ 1.05 (≥ 32.3 dB), 1 to 2.5 GHz
≤ 1.20 (≥ 20.8 dB), 2.5 to 5 GHz
Insertion Loss ≤ 0.03 x √F [GHz] dB, DC to 5 GHz

- Limitations are possible due to the used cable type -

Mechanical Data

Coupling mechanisms Screw-lock
Centre contact Soldered or Crimped
Cable entry Clamp

Environmental Data

Temperature range -65°C to +165°C
RoHS compliant

Material And Plating

Connector parts	Material	Plating
Centre contact	Beryllium Copper	Gold plating(Nickel underplated)
Body	Brass	Gold plating(Nickel underplated)
Insulator	PTFE	

Suitable Cables

RG-174, RG-188A, RG-316, BELDEN 7805

Packing

Single or 100