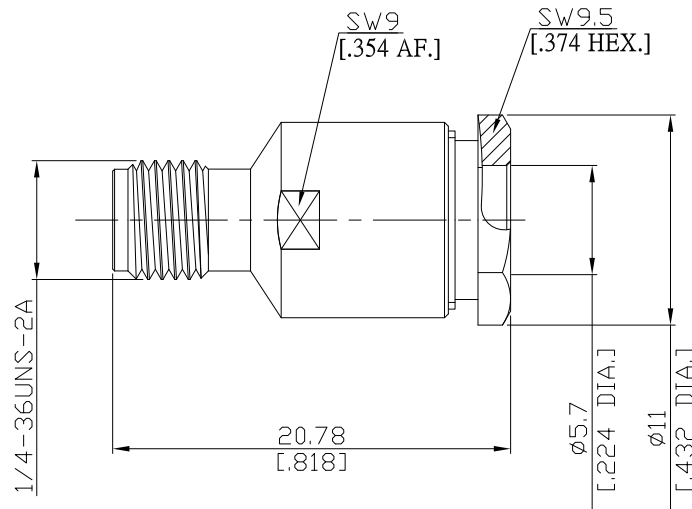


SMA Straight Cable Jack

SMA2D50-G142A/91



All dimensions are in mm [inch]  
Tolerances according to DIN ISO 2768-mH

**Interface**

According to IEC 60169-15; MIL-C-39012; MIL-STD-348A/310

**Electrical Data**

Impedance	50 Ω
Frequency	DC to 12.4 GHz
VSWR (Return Loss)	≤ 1.04 (≥ 34.2 dB), DC to 1 GHz
	≤ 1.05 (≥ 32.3 dB), 1 to 2.5 GHz
	≤ 1.20 (≥ 20.1 dB), 2.5 to 5 GHz
Insertion Loss	≤ 0.04 x √F (GHz) dB, DC to 5 GHz

- Limitations are possible due to the used cable type -

**Mechanical Data**

Coupling mechanisms	Screw-lock
Centre contact	Soldered or Crimped
Cable entry	Clamp

**Environmental Data**

Temperature range	-65°C to +165°C
RoHS	compliant

**Material And Plating**

Connector parts	Material	Plating
Centre contact	Beryllium Copper	Gold plating(Nickel underplated)
Body	Brass	Gold plating(Nickel underplated)
Insulator	PTFE	

**Suitable Cables**

RG55, RG 142, RG 223, RG 400

**Packing**

Single or 100