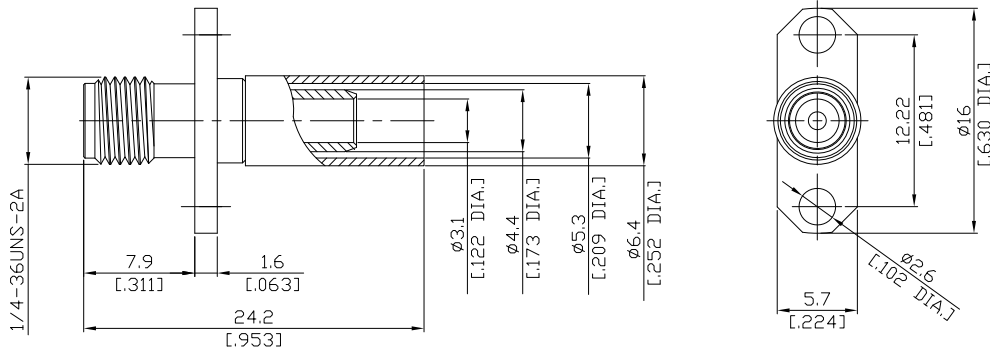


SMA Straight 2 Hole Panel Cable Jack

SMA2CBT50-G058A/91



All dimensions are in mm [inch]  
Tolerances according to DIN ISO 2768-mH

**Interface**

According to IEC 60169-15; MIL-C-39012; MIL-STD-348A/310

**Electrical Data**

Impedance 50 Ω  
 Frequency DC to 12.4 GHz  
 VSWR (Return Loss) ≤ 1.04 (≥ 34.15 dB), DC to 1 GHz  
 ≤ 1.05 (≥ 32.26 dB), 1 to 2.5 GHz  
 ≤ 1.20 (≥ 20.83 dB), 2.5 to 5 GHz  
 Insertion Loss ≤ 0.04 x √F (GHz) dB, DC to 5 GHz

- Limitations are possible due to the used cable type -

**Mechanical Data**

Coupling mechanisms Screw-lock  
 Centre contact Soldered or Crimped  
 Cable entry Crimped

**Environmental Data**

Temperature range -65°C to +165°C  
 RoHS compliant

**Material And Plating**

Connector parts	Material	Plating
Centre contact	Beryllium Copper	Gold plating(Nickel underplated)
Body	Brass	Gold plating(Nickel underplated)
Insulator	PTFE	
Crimp ferrules	Brass	Gold plating(Nickel underplated)

**Suitable Cables**

RG 58, RG 58A, RG 58C, RG 141, RG 303, BELDEN 7806A, BELDEN 9907, LMR 195, RNL-195

**Packing**

Single or 100

**Related Document**

Mounting Dimension MD13