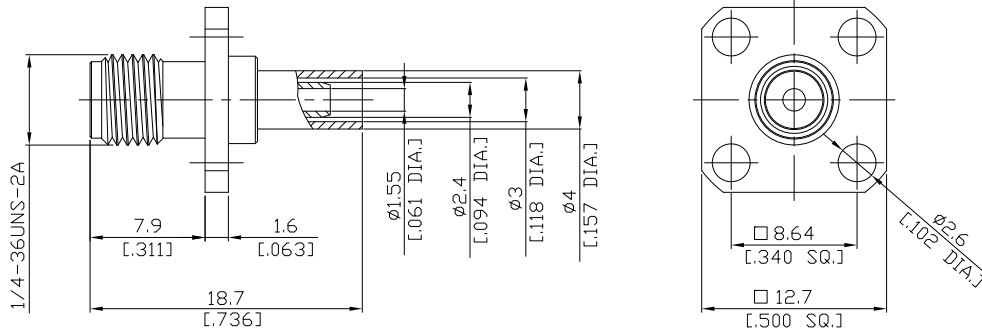




SMA Straight 4 Hole Panel Flange  
Cable Jack

SMA2CBF50-G316A/91



All dimensions are in mm [inch]  
Tolerances according to DIN ISO 2768-mH

**Interface**  
According to IEC 60169-15; MIL-C-39012; MIL-STD-348A/310

**Electrical Data**  
Impedance 50 Ω  
Frequency DC to 6 GHz  
VSWR (Return Loss) ≤ 1.20 (≥ 20.1 dB)  
Insertion Loss ≤ 0.03 x √F (GHz) dB

- Limitations are possible due to the used cable type -

**Mechanical Data**  
Coupling mechanisms Screw-lock  
Centre contact Soldered or Crimped  
Cable entry Crimped

**Environmental Data**  
Temperature range -65°C to +165°C  
RoHS compliant

Connector parts	Material	Plating
Centre contact	Beryllium Copper	Gold plating(Nickel underplated)
Body	Brass	Gold plating(Nickel underplated)
Insulator	PTFE	
Crimp ferrules	Brass	Gold plating(Nickel underplated)

**Suitable Cables**  
RG-174, RG-188A, RG-316, BELDEN 7805

**Packing**  
Single or 100

**Related Document**  
Mounting Dimension MD10