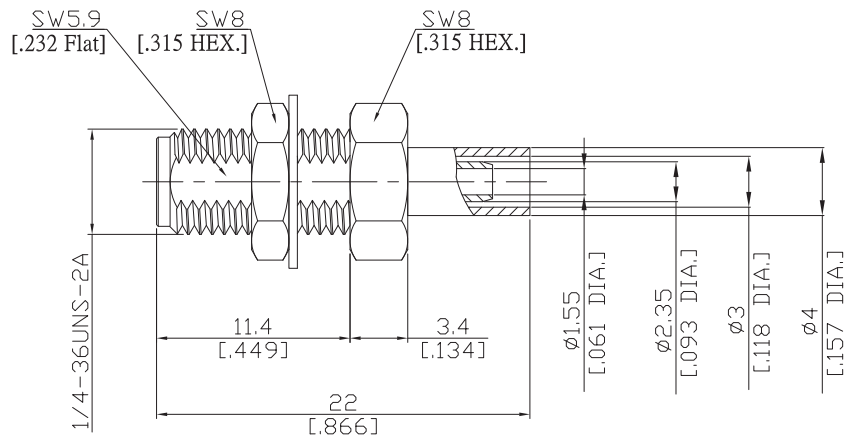


SMA Straight Bulkhead Cable Jack

SMA2CA50-G316A/91



All dimensions are in mm [inch]

Tolerances according to DIN ISO 2768-mH

Interface

According to IEC 60169-15; MIL-C-39012; MIL-STD-348A/310

Electrical Data

Impedance 50 Ω
 Frequency DC to 12.4 GHz
 VSWR (Return Loss) ≤ 1.04 (≥ 34.15 dB), DC to 1 GHz
 ≤ 1.05 (≥ 32.26 dB), 1 to 2.5 GHz
 ≤ 1.20 (≥ 20.83 dB), 2.5 to 5 GHz
 Insertion Loss $\leq 0.03 \times \sqrt{F}$ (GHz) dB, DC to 5 GHz

- Limitations are possible due to the used cable type -

Mechanical Data

Coupling mechanisms Screw-lock
 Centre contact Soldered or Crimped
 Cable entry Crimped

Environmental Data

Temperature range -65°C to +165°C
 RoHS compliant

Material And Plating

Connector parts	Material	Plating
Centre contact	Beryllium Copper	Gold plating(Nickel underplated)
Body	Brass	Gold plating(Nickel underplated)
Insulator	PTFE	
Crimp ferrules	Brass	Gold plating(Nickel underplated)
Fastening nut	Brass	Gold plating(Nickel underplated)
Washer	Brass	Gold plating(Nickel underplated)

Suitable Cables

RG 316, RG 174, RG 188A, BELDEN 7805

Packing

Single or 100

Related Document

Mounting Dimension MD19