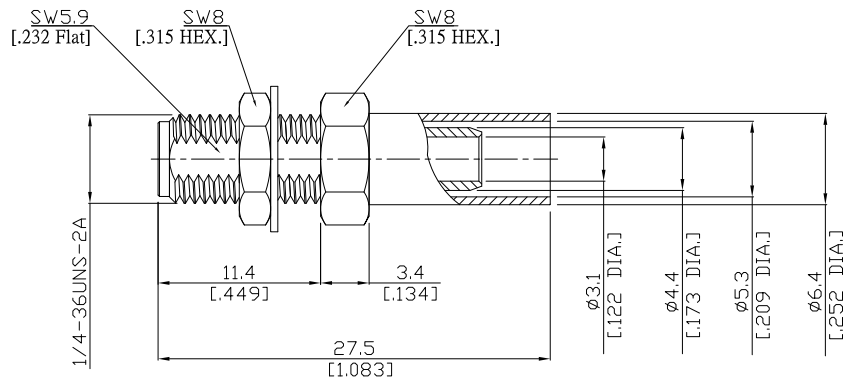


SMA Straight Bulkhead Cable Jack

SMA2CA50-G058A/91



All dimensions are in mm [inch]  
Tolerances according to DIN ISO 2768-mH

**Interface**

According to IEC 60169-15; MIL-C-39012; MIL-STD-348A/310

**Electrical Data**

Impedance 50 Ω  
Frequency DC to 12.4 GHz  
VSWR (Return Loss) ≤ 1.04 (≥ 34.15 dB), DC to 1 GHz  
≤ 1.05 (≥ 32.26 dB), 1 to 2.5 GHz  
≤ 1.20 (≥ 20.83 dB), 2.5 to 5 GHz  
Insertion Loss ≤ 0.04 x √F (GHz) dB, DC to 5 GHz

- Limitations are possible due to the used cable type -

**Mechanical Data**

Coupling mechanisms Screw-lock  
Centre contact Soldered or Crimped  
Cable entry Crimped

**Environmental Data**

Temperature range -65°C to +165°C  
RoHS compliant

**Material And Plating**

Connector parts	Material	Plating
Centre contact	Beryllium Copper	Gold plating(Nickel underplated)
Body	Brass	Gold plating(Nickel underplated)
Insulator	PTFE	
Crimp ferrules	Copper	Gold plating(Nickel underplated)
Fastening nut	Brass	Gold plating(Nickel underplated)
Washer	Brass	Gold plating(Nickel underplated)

**Suitable Cables**

RG 58, RG 58A, RG 58C, RG 141, RG 303, BELDEN 7806A, BELDEN 9907, LMR 195, RNL-195

**Packing**

Single or 100

**Related Document**

Mounting Dimension MD19