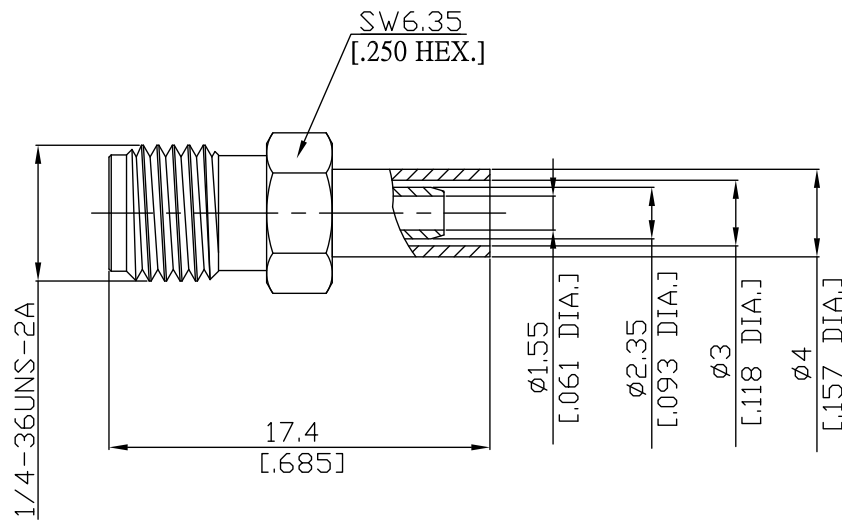


SMA Straight Cable Jack

SMA2C50-G316A/9X



All dimensions are in mm [inch]
Tolerances according to DIN ISO 2768-mH

Interface

According to IEC 60169-15; MIL-C-39012; MIL-STD-348A/310

Electrical Data

Impedance 50 Ω
Frequency DC to 12.4 GHz
VSWR (Return Loss) ≤ 1.04 (≥ 34.2 dB), DC to 1 GHz
≤ 1.05 (≥ 32.3 dB), 1 to 2.5 GHz
≤ 1.20 (≥ 20.8 dB), 2.5 to 5 GHz
Insertion Loss ≤ 0.03 x √F (GHz) dB, DC to 5 GHz

- Limitations are possible due to the used cable type -

Mechanical Data

Coupling mechanisms Screw-lock
Centre contact Soldered or Crimped
Cable entry Crimped

Environmental Data

Temperature range -65°C to +165°C
RoHS compliant

Material And Plating

Connector parts	Material	Plating
Centre contact	Beryllium Copper	Gold plating(Nickel underplated)
Body	Stainless Steel	Passivated
Insulator	PTFE	
Crimp ferrules	Brass	Gold plating(Nickel underplated)

Suitable Cables

RG-174, RG-188A, RG-316, BELDEN 7805

Packing

Single or 100