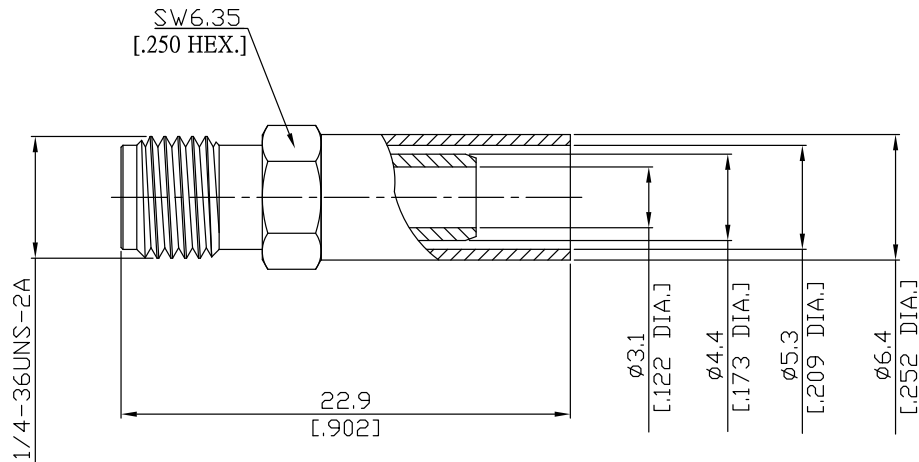


SMA Straight Cable Jack
SMA2C50-G142A/91


All dimensions are in mm [inch]

Tolerances according to DIN ISO 2768-mH

Interface

According to MIL-C-39012;MIL-STD-348A/310

Electrical Data

Impedance 50 Ω
 Frequency DC to 12.4 GHz
 VSWR (Return Loss) ≤ 1.04 (≥ 34.15 dB), DC to 1 GHz
 ≤ 1.05 (≥ 32.26 dB), 1 to 2.5 GHz
 ≤ 1.20 (≥ 20.83 dB), 2.5 to 5 GHz
 Insertion Loss ≤ 0.04 x √F [GHz] dB, DC to 5 GHz

- Limitations are possible due to the used cable type -

Mechanical Data

Coupling mechanisms Screw-lock
 Centre contact Soldered
 Cable entry Crimped

Environmental Data

Temperature range -65°C to +165°C
 RoHS compliant

Material And Plating

Connector parts	Material	Plating
Centre contact	Beryllium Copper	Gold plating(Nickel underplated)
Body	Brass	Gold plating(Nickel underplated)
Insulator	PTFE	
Crimp ferrules	Brass	Gold plating(Nickel underplated)

Suitable Cables

RG55, RG 142, RG 223, RG 400

Packing

Single or 100