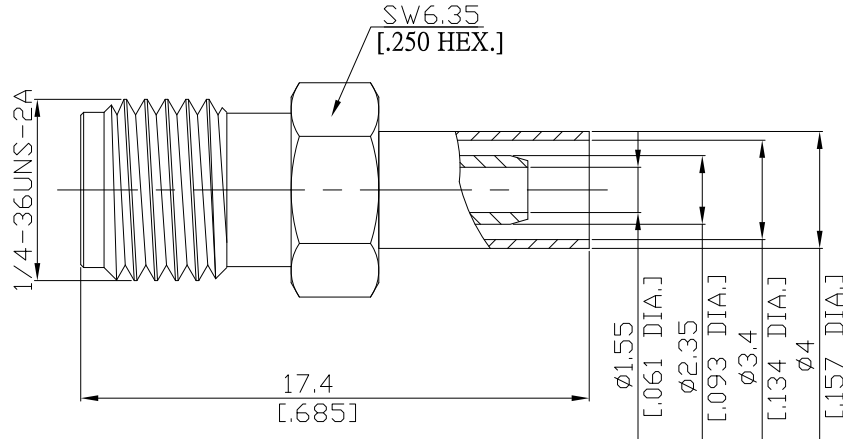


SMA Straight Cable Jack

SMA2C50-D316A/9X



All dimensions are in mm [inch]

Interface

According to IEC 60169-15; MIL-C-39012; MIL-STD-348A/310

Electrical Data

Impedance 50 Ω
 Frequency DC to 12.4 GHz
 VSWR (Return Loss) ≤ 1.04 (≥ 34.15 dB), DC to 1 GHz
 ≤ 1.05 (≥ 32.26 dB), 1 to 2.5 GHz
 ≤ 1.20 (≥ 20.83 dB), 2.5 to 5 GHz
 Insertion Loss ≤ 0.03 x √F (GHz) dB, DC to 5 GHz

- Limitations are possible due to the used cable type -

Mechanical Data

Coupling mechanisms Screw-lock
 Centre contact Soldered or Crimped
 Cable entry Crimped

Environmental Data

Temperature range -65°C to +165°C
 RoHS compliant

Material And Plating

Connector parts	Material	Plating
Centre contact	Beryllium Copper	Gold plating(Nickel underplated)
Body	Stainless Steel	Passivated
Insulator	PTFE	
Crimp ferrules	Brass	Copper-Tin-Zinc Alloy

Suitable Cables

RG 188, RG 316-d,

Packing

Single or 100