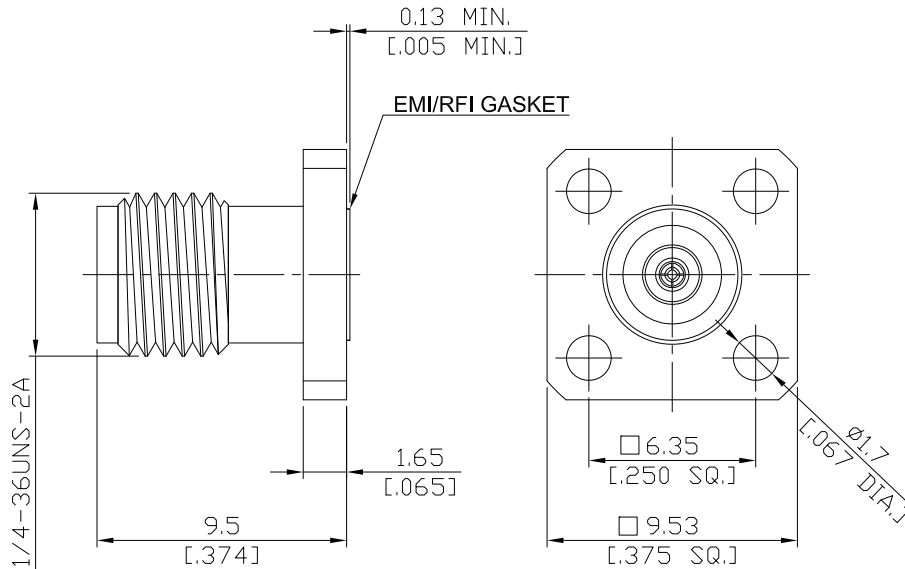


SMA Jack (Female) Field Replaceable Connector
4 Hole Flange Mount 0.46mm (.018 inch) Pin,
9.53mm (.375 inch) Flange Size, With EMI/RFI Gasket

SMA2BF50-0018B-EMI/9X



All dimensions are in mm [inch]
Tolerances according to DIN ISO 2768-mH

Interface

According to IEC 60169-15; MIL-STD-348A/310

Electrical Data

Impedance 50 Ω
Frequency DC to 18 GHz
VSWR (Return Loss) ≤ 1.15 (≥ 23.15 dB)
Insertion Loss ≤ 0.04 × √F (GHz) dB
EMI/RFI Leakage -52 dB

Mechanical Data

Coupling mechanisms Screw-lock
Weight N/A
Accept Pin 0.46 mm (.018 inch)

Environmental Data

Temperature range -65°C to +165°C
RoHS compliant

Material And Plating

Piece Parts	Material	Plating
Centre contact	Beryllium Copper	Gold plating(Nickel underplated)
Body	Stainless Steel	Passivated
Insulator	PTFE	
End Gasket	EMI Shielding	

Packing

Single or 100