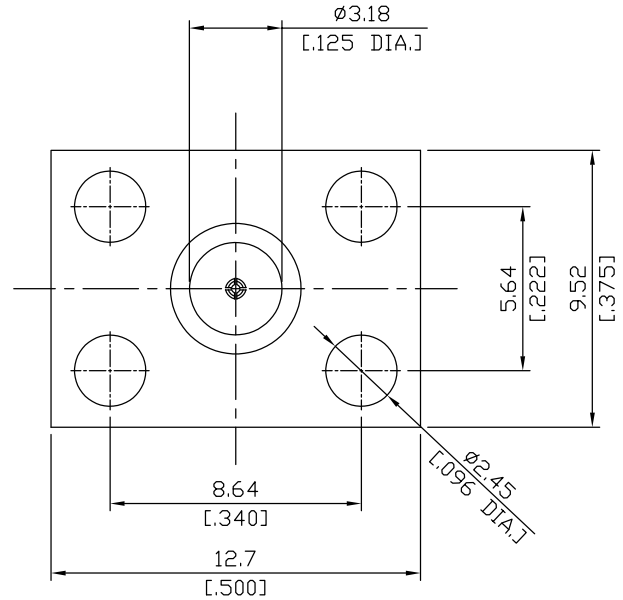
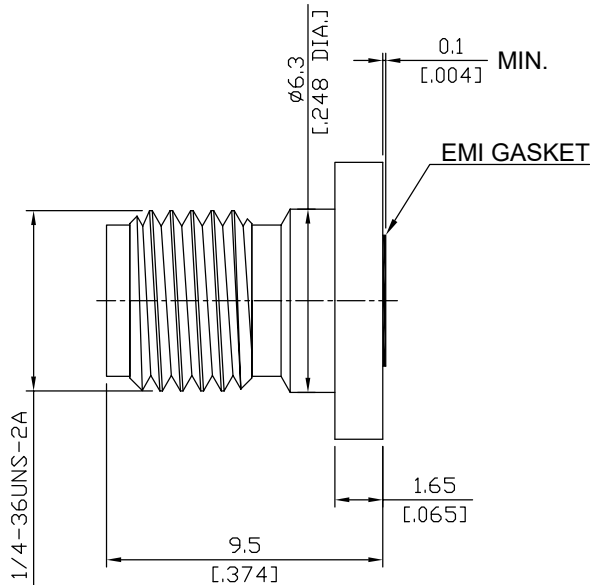


SMA Straight Field Replaceable Jack
Rectangular Flange

SMA2BF50-0015C/9X



All dimensions are in mm [inch]
Tolerances according to DIN ISO 2768-mH

Interface

According to IEC 60169-15; MIL-STD-348A/310

Electrical Data

Impedance 50 Ω
Frequency DC to 26.5 GHz

Mechanical Data

Coupling mechanisms Screw-lock
Weight N/A
Accept Pin 0.38 mm (.015 inch)

Environmental Data

Temperature range -65°C to +165°C
RoHS compliant

Material And Plating

Piece Parts	Material	Plating
Centre contact	Beryllium Copper	Gold plating(Nickel underplated)
Body	Stainless Steel	Passivated
Insulator	PTFE	
Gasket	EMI	

Packing

Single or 100