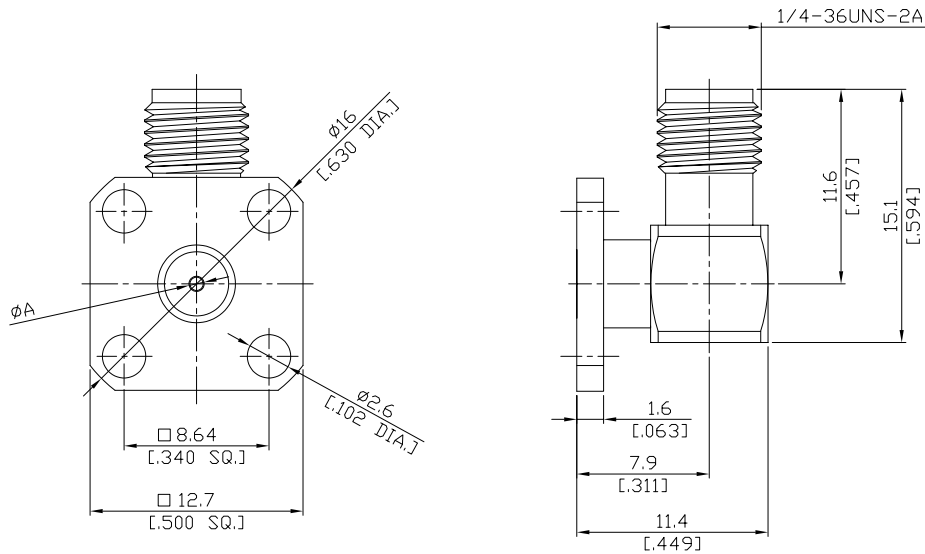


SMA Right Angle Field Replaceable Jack

SMA2BF59-0015A/9Q



P/N	ØA mm [inch]
SMA2BF59-0036A/9Q	0.91 [0.036]
SMA2BF59-0020A/9Q	0.51 [0.020]
SMA2BF59-0018A/9Q	0.46 [0.018]
SMA2BF59-0015A/9Q	0.38 [0.015]
SMA2BF59-0012A/9Q	0.30 [0.012]
SMA2BF59-0009A/9Q	0.23 [0.009]

All dimensions are in mm [inch]
Tolerances according to DIN ISO 2768-mH

Interface

According to IEC 60169-15; MIL-STD-348A/310

Electrical Data

Impedance 50 Ω
Frequency DC to 18 GHz
VSWR (Return Loss) 1.06 + 0.005 x f(GHz)
Insertion Loss 0.1 dB max. @ 6GHz

Mechanical Data

Coupling mechanisms Screw-lock
Weight N/A

Environmental Data

Temperature range -65°C to +165°C
RoHS compliant

Material And Plating

Piece Parts	Material	Plating
Centre contact	Beryllium Copper	Gold plating(Nickel underplated)
Body	Stainless Steel	Gold plating(Nickel underplated)
Insulator	PTFE	

Packing

Single or 100