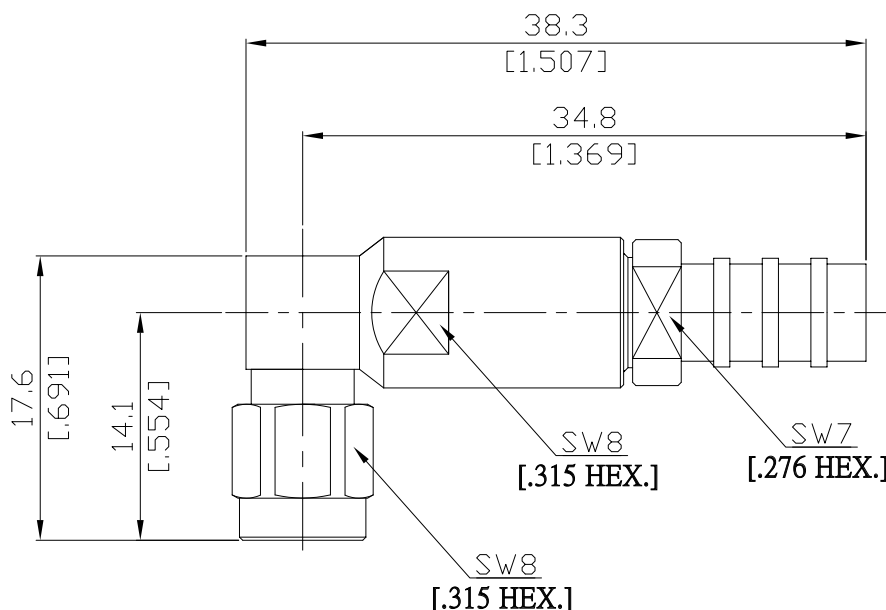


SMA Right Angle Cable Plug

SMA1K59-EF402A/9XX



All dimensions are in mm [inch]  
Tolerances according to DIN ISO 2768- mH

**Interface**

According to IEC 60169-15; MIL-C-39012; MIL-STD-348A/310

**Electrical Data**

Impedance 50 Ω  
Frequency DC to 18 GHz  
VSWR ≤ 1.20 (≥ 20.83 dB)  
Insertion Loss ≤ 0.05 × √F [GHz] dB

- Digressions are possible due to the used cable type and manufacturing process -

**Mechanical Data**

Coupling mechanisms Screw-lock  
Centre contact Plug-in  
Cable entry Solder clamped

**Environmental Data**

Temperature range -65°C to +165°C  
RoHS compliant

**Material And Plating**

Connector parts	Material	Plating
Centre contact	Beryllium Copper	Gold plating(Nickel underplated)
Body	Stainless Steel	Passivated
Insulator	PTFE	
Gasket	Silicone Rubber	
Coupling nut	Stainless Steel	Passivated

**Suitable Cables**

RSR-141, RSF-141, RSF-141-FEP, EF402, UT 141, RG 402/U, RTK- FS 141, RTK- Flex 402, BELDEN 1673A, MF141

**Packing**

Single or 100