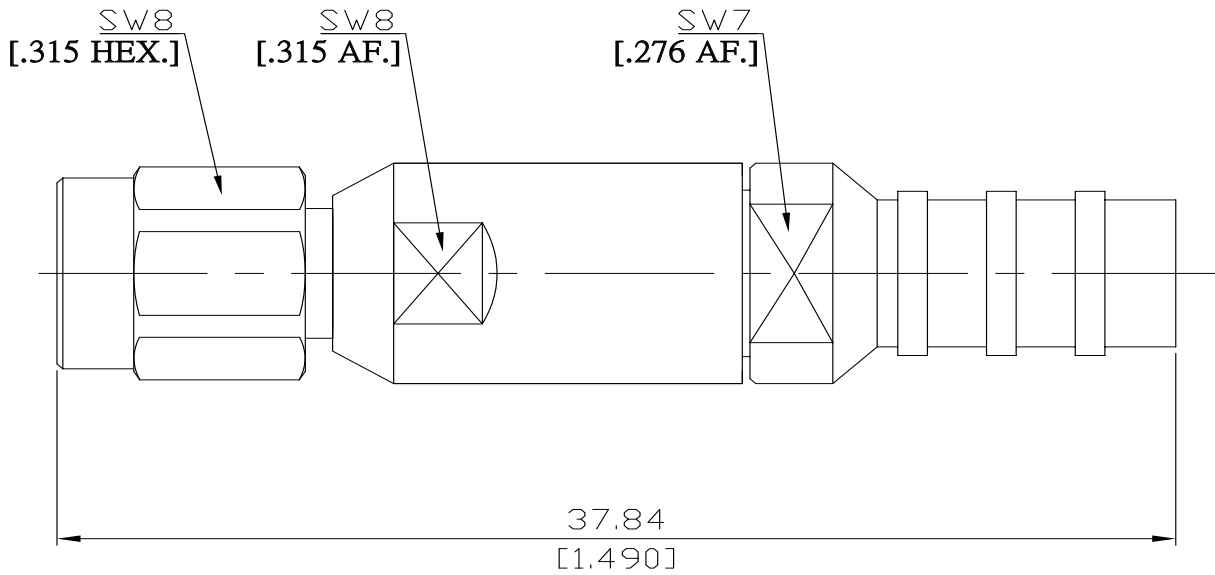


SMA Straight Cable Plug

SMA1K50-0420A/9XX



All dimensions are in mm [inch]
Tolerances according to DIN ISO 2768-mH

Interface

According to MIL-C-39012; MIL-STD-348A/310

Electrical Data

Impedance 50 Ω
Frequency DC to 18 GHz
VSWR (Return Loss) ≤ 1.20 (≥ 20.83 dB)
Insertion Loss ≤ 0.05 x √F (GHz) dB

- Limitations are possible due to the used cable type and manufacturing process -

Mechanical Data

Coupling mechanisms Screw-lock
Centre contact Soldered
Cable entry Solder Clamp

Environmental Data

Temperature range -65°C to +165°C
RoHS compliant

Material and Plating

Connector Parts	Material	Plating
Centre contact	Beryllium Copper	Gold plating(Nickel underplated)
Body	Stainless Steel	Passivated
Insulator	PTFE	
Gasket	Silicone Rubber	
Coupling nut	Stainless Steel	Passivated

Suitable Cables

ROSNOL EW0420, EW0420A, EW0420B

Packing

Single or 100