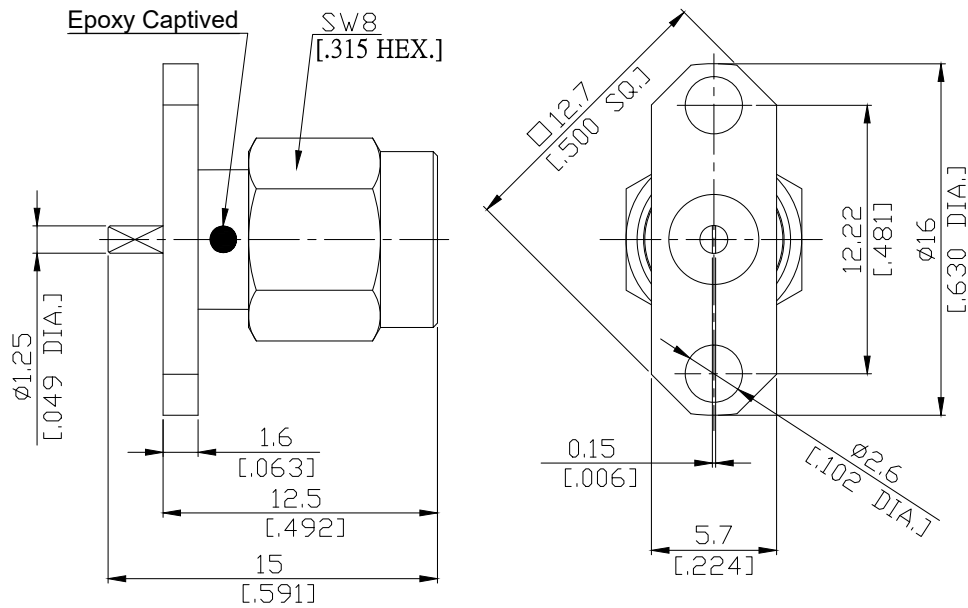


**SMA Straight Panel Receptacle Plug  
(Flat End)**
**SMA1GTD50-1500A-EC/1XX**


All dimensions are in mm [inch]

Tolerances according to DIN ISO 2768-mH

**Interface**

According to MIL-C-39012; MIL-STD-348A/310

**Electrical Data**

Impedance 50  $\Omega$   
 Frequency DC to 18 GHz  
 VSWR (Return Loss)  $\leq 1.25$  ( $\geq 19.08$  dB)  
 Insertion Loss  $\leq 0.05 \times \sqrt{F}$  (GHz) dB

**Mechanical Data**

Coupling mechanisms Screw-lock  
 Weight 0.0033 kg

**Environmental Data**

Temperature range -65°C to +165°C  
 RoHS compliant

**Material And Plating**

Piece Parts	Material	Plating
Centre contact	Brass	Gold plating(Nickel underplated)
Body	Stainless Steel	Passivated
Insulator	PTFE	
Gasket	Silicone Rubber	
Coupling nut	Stainless Steel	Passivated

**Packing**

Single or 100

**Related Document**

Mounting Dimension MD75