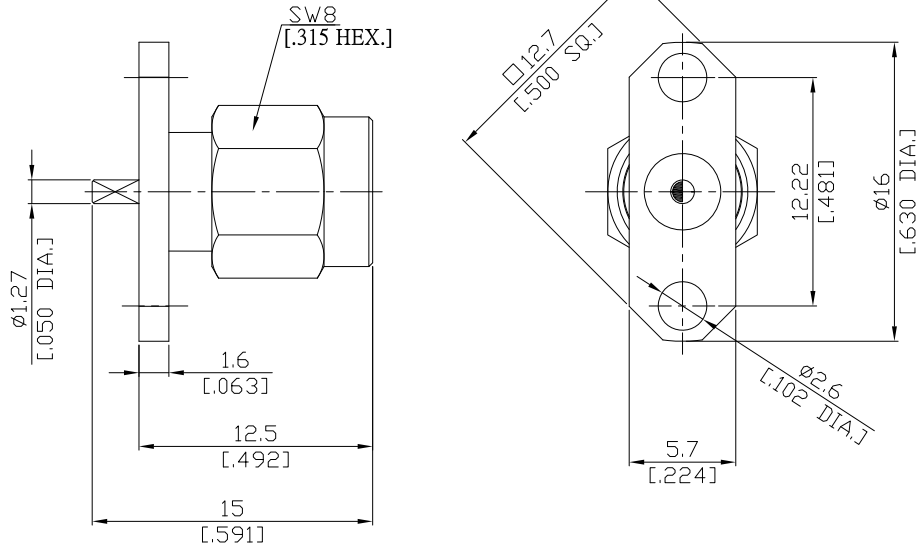


## SMA Straight Panel Receptacle Plug (Semicircular End)

## SMA1GTC50-1500A/111



All dimensions are in mm [inch]

Tolerances according to DIN ISO 2768-mH

### Interface

According to MIL-C-39012;MIL-STD-348A/310

### Electrical Data

Impedance 50  $\Omega$   
 Frequency DC to 18 GHz  
 VSWR (Return Loss)  $\leq 1.25$  ( $\geq 19.08$  dB)  
 Insertion Loss  $\leq 0.05 \times \sqrt{F}$  (GHz) dB

### Mechanical Data

Coupling mechanisms Screw-lock  
 Weight 0.0036 kg

### Environmental Data

Temperature range  $-65^{\circ}\text{C}$  to  $+165^{\circ}\text{C}$   
 RoHS compliant

### Material And Plating

| Piece Parts    | Material        | Plating                          |
|----------------|-----------------|----------------------------------|
| Centre contact | Brass           | Gold plating(Nickel underplated) |
| Body           | Brass           | Gold plating(Nickel underplated) |
| Insulator      | PTFE            |                                  |
| Gasket         | Silicone Rubber |                                  |
| Coupling nut   | Brass           | Gold plating(Nickel underplated) |

### Packing

Single or 100

### Related Document

Mounting Dimension MD75