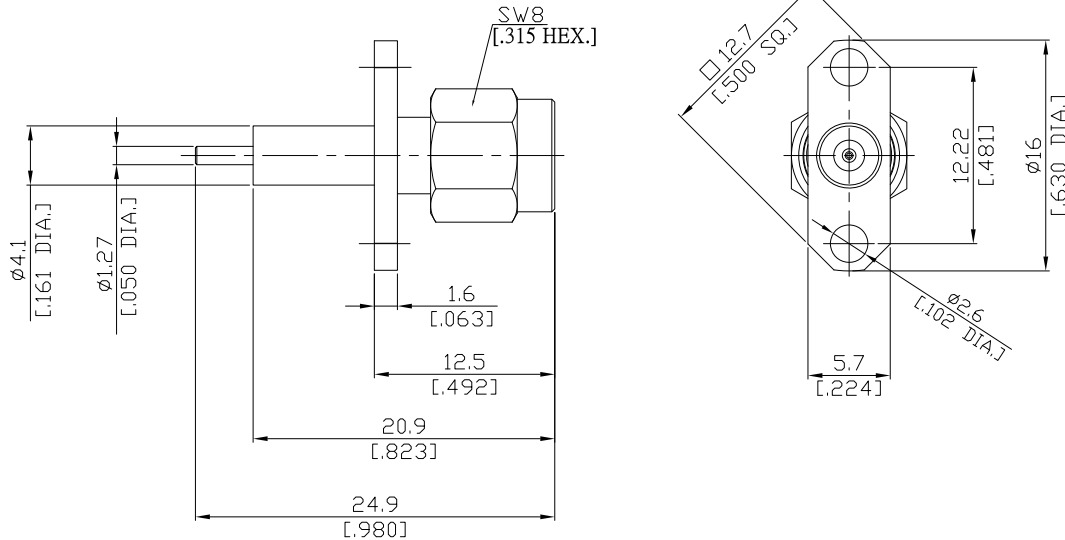


SMA Straight Panel Receptacle Plug (Coaxial End)

SMA1GTA50-2490A/111



All dimensions are in mm [inch]

Tolerances according to DIN ISO 2768-mH

Interface

According to MIL-C-39012; MIL-STD-348A/310

Electrical Data

Impedance: 50 Ω
 Frequency: DC to 18 GHz
 VSWR (Return Loss): ≤ 1.25 (≥ 19.08 dB)
 Insertion Loss: $\leq 0.05 \times \sqrt{F}$ (GHz) dB

Mechanical Data

Coupling mechanisms: Screw-lock
 Weight: 0.0032 kg

Environmental Data

Temperature range: -65°C to +165°C
 RoHS: compliant

Material And Plating

| Piece Parts | Material | Plating |
|----------------|-----------------|----------------------------------|
| Centre contact | Brass | Gold plating(Nickel underplated) |
| Body | Brass | Gold plating(Nickel underplated) |
| Insulator | PTFE | |
| Gasket | Silicone Rubber | |
| Coupling nut | Brass | Gold plating(Nickel underplated) |

Packing

Single or 100

Related Document

Mounting Dimension MD75