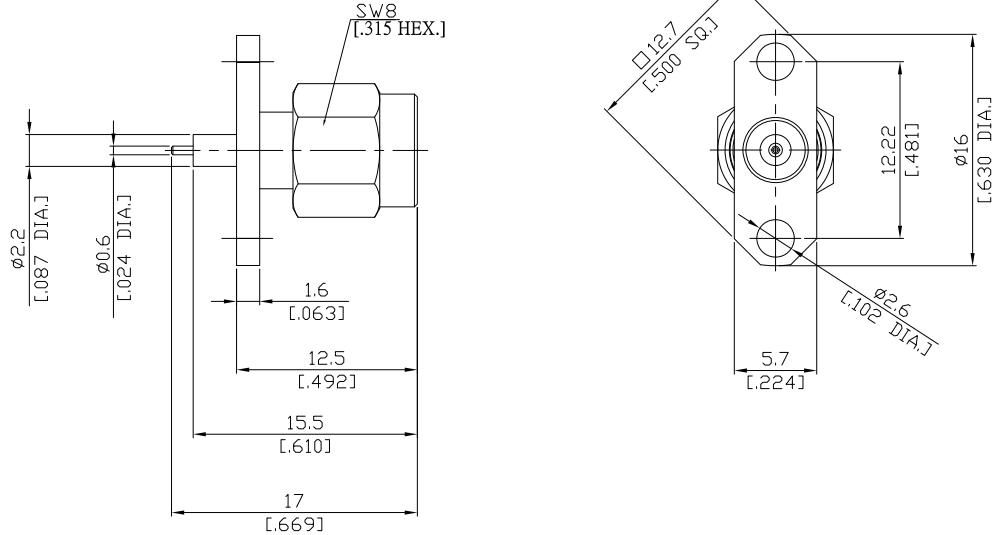


SMA Straight Panel Receptacle Plug (Coaxial End)

SMA1GTA50-1700A/1XX



All dimensions are in mm [inch]

Tolerances according to DIN ISO 2768-mH

Interface

According to MIL-C-39012; MIL-STD-348A/310

Electrical Data

Impedance: 50 Ω
 Frequency: DC to 18 GHz
 VSWR (Return Loss): ≤ 1.25 (≥ 19.08 dB)
 Insertion Loss: $\leq 0.05 \times \sqrt{F}$ (GHz) dB

Mechanical Data

Coupling mechanisms: Screw-lock
 Weight: 0.0032 kg

Environmental Data

Temperature range: -65°C to +165°C
 RoHS: compliant

Material And Plating

Piece Parts	Material	Plating
Centre contact	Brass	Gold plating(Nickel underplated)
Body	Stainless Steel	Passivated
Insulator	PTFE	
Gasket	Silicone Rubber	
Coupling nut	Stainless Steel	Passivated

Packing

Single or 100

Related Document

Mounting Dimension MD76