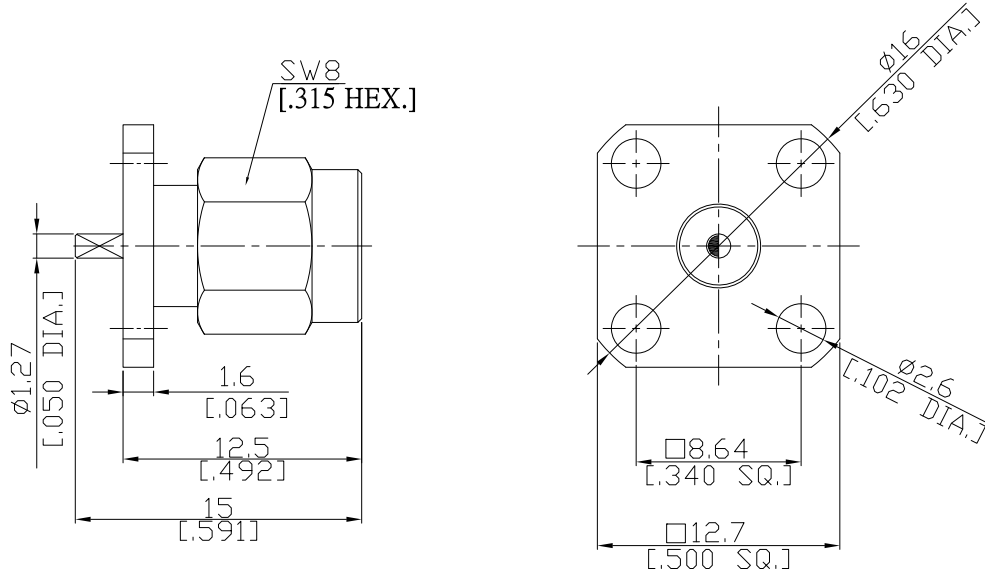


SMA Straight Panel Receptacle Plug (Semicircular End)

SMA1GFC50-1500A-111



All dimensions are in mm [inch]

Tolerances according to DIN ISO 2768-mH

Interface

According to MIL-C-39012;MIL-STD-348A/310

Electrical Data

Impedance 50 Ω
 Frequency DC to 18 GHz
 VSWR (Return Loss) ≤ 1.25 (≥ 19.08 dB)
 Insertion Loss ≤ 0.05 x √F [GHz] dB

Mechanical Data

Coupling mechanisms Screw-lock
 Weight 0.0041 kg

Environmental Data

Temperature range -65°C to +165°C
 RoHS compliant

Material And Plating

Piece Parts	Material	Plating
Centre contact	Brass	Gold plating(Nickel underplated)
Body	Brass	Gold plating(Nickel underplated)
Insulator	PTFE	
Gasket	Silicone Rubber	
Coupling nut	Brass	Gold plating(Nickel underplated)

Packing

Single or 100

Related Document

Mounting Dimension MD71

The facts and figures herein are carefully compiled to the best of our knowledge, but they are intended for general informational purposes only. In the effort to improve our products, we reserve the right to make changes judged to be necessary.

Rev.:-	Rosnol RF/Microwave Technology www.rosnol.com ; info@rosnol.com
Date: 19/11/10	Phone:+886-3-463-5095 Fax:+886-3-463-5952

Page

1/1