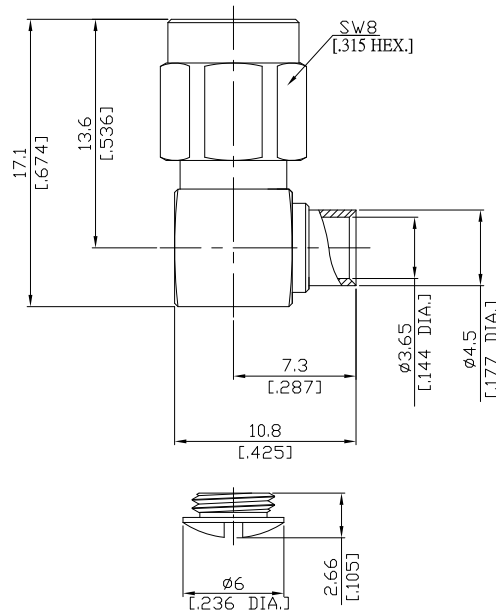




SMA Right Angle Cable Plug

SMA1E59-0141A/11X



All dimensions are in mm [inch]
Tolerances according to DIN ISO 2768- mH

Interface

According to IEC 60169-15; MIL-C-39012; MIL-STD-348A/310

Electrical Data

Impedance 50 Ω
Frequency DC to 12.4 GHz
VSWR $\leq 1.05 + 0.01 \times f$ [GHz]
Insertion Loss $\leq 0.04 \times \sqrt{f}$ (GHz) dB

- Digressions are possible due to the used cable type and manufacturing method -

Mechanical Data

Coupling mechanisms Screw-lock
Centre contact Soldered
Cable entry Soldered

Environmental Data

Temperature range -65°C to +165°C
RoHS compliant

Material And Plating

Connector parts	Material	Plating
Centre contact	Brass	Gold plating(Nickel underplated)
Body	Brass	Gold plating(Nickel underplated)
Insulator	PTFE	
Gasket	Silicone Rubber	
Coupling nut	Stainless Steel	Passivated

Suitable Cables

RSR-141, RSF-141, RSF-141-FEP, RSF-141-PVC, RG-402, BELDEN 1673A , BELDEN 1673J

Packing

Single or 100