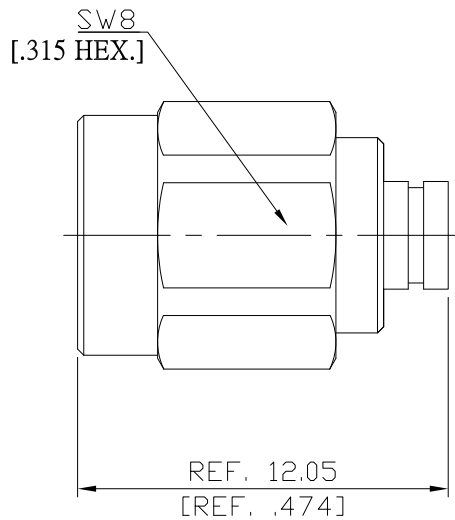


SMA Plug (Male) Cable Connector Solder for
RSR085, RSF085, RSF085-FEP, EF405, RG405

SMA1E50-EF405A/91X



All dimensions are in mm [inch]
Tolerances according to DIN ISO 2768-mH

Interface
According to MIL-STD-348A/310
IEC 60169-15

Electrical Data
Impedance 50 Ω
Frequency DC to 18 GHz
VSWR (Return Loss) ≤ 1.20 (≥ 20.83 dB)
Insertion Loss ≤ 0.05 × √F (GHz) dB

- Limitations are possible due to the used cable type -

Mechanical Data
Coupling mechanisms Screw-lock
Centre contact Plug-in
Cable entry Soldered

Environmental Data
Temperature range -65°C to +165°C
RoHS compliant
REACH compliant

Material And Plating

Connector parts	Material	Plating
Centre contact	Beryllium Copper	Gold plating(Nickel underplated)
Body	Brass	Gold plating(Nickel underplated)
Insulator	PTFE	
Gasket	Silicone Rubber	
Coupling nut	Stainless Steel	Passivated

Suitable Cables
RSR-085, RSF-085, RSF-085-FEP, UT 85, RG 405/U, RTK- FS 085, RTK- Flex 405, BELDEN 1671A

Packing
Single or 100