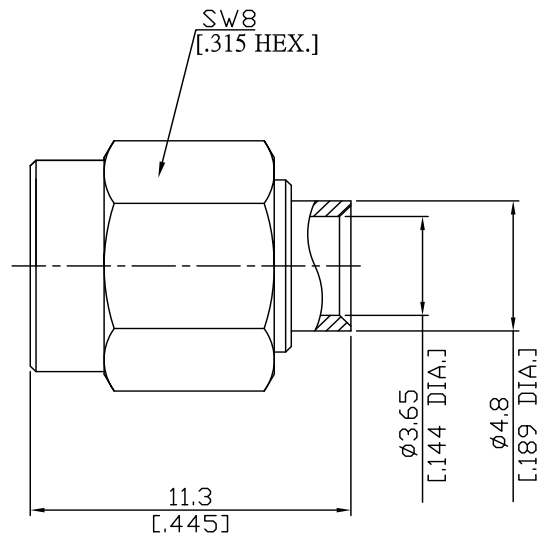


SMA Straight Cable Plug

SMA1E50-0141A/11X



All dimensions are in mm [inch]

Tolerances according to DIN ISO 2768-mH

Interface

According to

IEC 60169-15; MIL-C-39012; MIL-STD-348A/310

Electrical Data

Impedance

50 Ω

Frequency

DC to 18 GHz

VSWR (Return Loss)

≤ 1.20 (≥ 20.83 dB)

Insertion Loss

≤ 0.05 x √F [GHz] dB

- Limitations are possible due to the used cable type and manufacturing process -

Mechanical Data

Coupling mechanisms

Screw-lock

Centre contact

Soldered or Crimped

Cable entry

Soldered

Environmental Data

Temperature range

-65°C to +165°C

RoHS

compliant

Material And Plating

Connector parts	Material	Plating
Centre contact	Brass	Gold plating(Nickel underplated)
Body	Brass	Gold plating(Nickel underplated)
Insulator	PTFE	
Gasket	Silicone Rubber	
Coupling nut	Stainless Steel	Passivated

Suitable Cables

RSR-141, RSF-141, RSF-141-FEP, RSF-141-PVC, RG 402, BELDEN 1673A, BELDEN 1673J

Packing

Single or 100