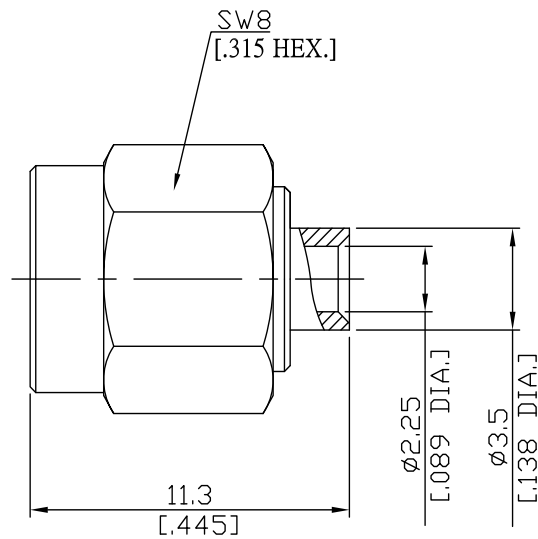


SMA Straight Cable Plug

SMA1E50-0085A/111



All dimensions are in mm [inch]  
Tolerances according to DIN ISO 2768-mH

**Interface**

According to IEC 60169-15; MIL-C-39012; MIL-STD-348A/310

**Electrical Data**

Impedance 50 Ω  
Frequency DC to 18 GHz  
VSWR (Return Loss) ≤ 1.20 (≥ 20.8 dB)  
Insertion Loss ≤ 0.04 x √F (GHz) dB

- Limitations are possible due to the used cable type and manufacturing process -

**Mechanical Data**

Coupling mechanisms Screw-lock  
Centre contact Soldered  
Cable entry Soldered

**Environmental Data**

Temperature range -65°C to +165°C  
RoHS compliant

**Material And Plating**

Connector parts	Material	Plating
Centre contact	Brass	Gold plating (Nickel underplated)
Body	Brass	Gold plating (Nickel underplated)
Insulator	PTFE	
Gasket	Silicone Rubber	
Coupling nut	Brass	Gold plating (Nickel underplated)

**Suitable Cables**

RSR-086, RSF-086, RSF-086-FEP, RSF-086-PVC, RG-405, BELDEN 1671A, BELDEN 1671J

**Packing**

Single or 100