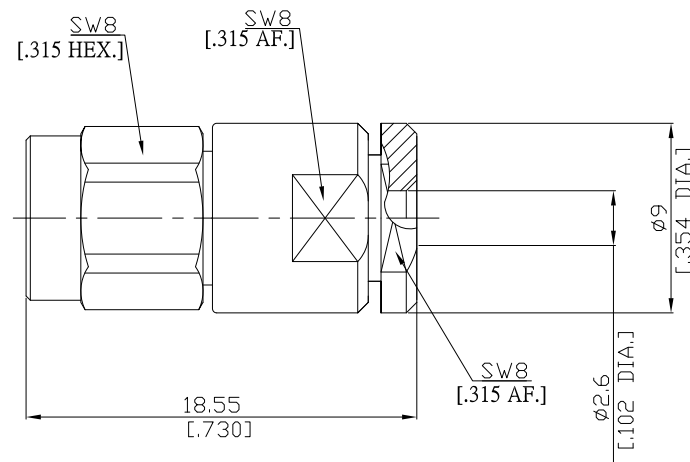


SMA Straight Cable Clamp Plug

SMA1D50-G316A/111



All dimensions are in mm [inch]  
Tolerances according to DIN ISO 2768-mH

**Interface**

According to IEC 60169-15; MIL-C-39012; MIL-STD-348A/310

**Electrical Data**

Impedance 50  $\Omega$   
Frequency DC to 12.4 GHz  
VSWR (Return Loss)  $\leq 1.04$  ( $\geq 34.2$  dB), DC to 1 GHz  
 $\leq 1.05$  ( $\geq 32.3$  dB), 1 to 2.5 GHz  
 $\leq 1.20$  ( $\geq 20.1$  dB), 2.5 to 5 GHz  
Insertion Loss  $\leq 0.03 \times \sqrt{F}$  [GHz] dB, DC to 5 GHz

- Limitations are possible due to the used cable type -

**Mechanical Data**

Coupling mechanisms Screw-lock  
Centre contact Soldered or Crimped  
Cable entry Clamp

**Environmental Data**

Temperature range  $-65^{\circ}\text{C}$  to  $+165^{\circ}\text{C}$   
RoHS compliant

**Material And Plating**

Connector parts	Material	Plating
Centre contact	Brass	Gold plating(Nickel underplated)
Body	Brass	Gold plating(Nickel underplated)
Insulator	PTFE	
Gasket	Silicone Rubber	
Coupling nut	Brass	Gold plating(Nickel underplated)

**Suitable Cables**

RG-174, RG-188A, RG-316, LMR-100, RNL-100, BELDEN 7805

**Packing**

Single or 100