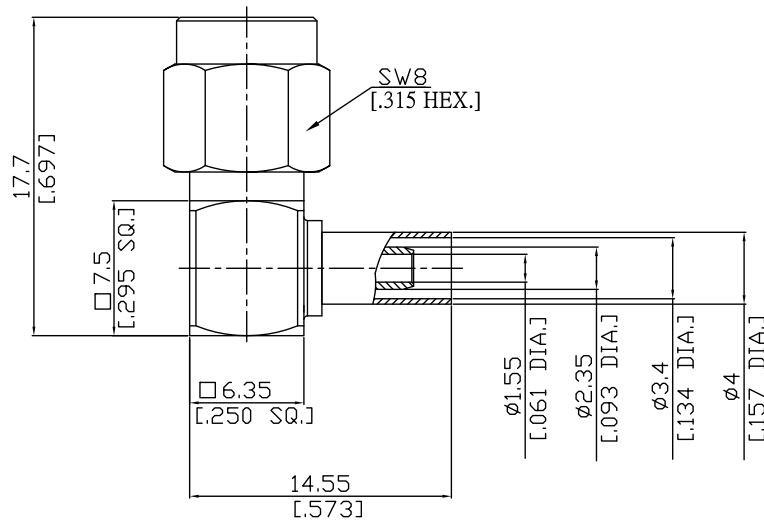




SMA Right Angle Cable Plug

SMA1C59-D316A/11X



All dimensions are in mm [inch]

Interface

According to IEC 60169-15; MIL-C-39012; MIL-STD-348A/310

Electrical Data

Impedance 50 Ω
 Frequency DC to 12.4 GHz
 VSWR (Return Loss) ≤ 1.04 (≥ 34.15 dB), DC to 1 GHz
 ≤ 1.05 (≥ 32.26 dB), 1 to 2.5 GHz
 ≤ 1.20 (≥ 20.83 dB), 2.5 to 5 GHz
 Insertion Loss ≤ 0.03 × √F (GHz) dB, DC to 5 GHz

- Limitations are possible due to the used cable type -

Mechanical Data

Coupling mechanisms Screw-lock
 Centre contact Soldered
 Cable entry Crimped

Environmental Data

Temperature range -65°C to +165°C
 RoHS compliant

Material And Plating

Connector parts	Material	Plating
Centre contact	Brass	Gold plating(Nickel underplated)
Body	Brass	Gold plating(Nickel underplated)
Insulator	PTFE	
Gasket	Silicone Rubber	
Coupling nut	Stainless Steel	Passivated
Crimp ferrules	Brass	Gold plating(Nickel underplated)

Suitable Cables

RG 188, RG 316-d

Packing

Single or 100