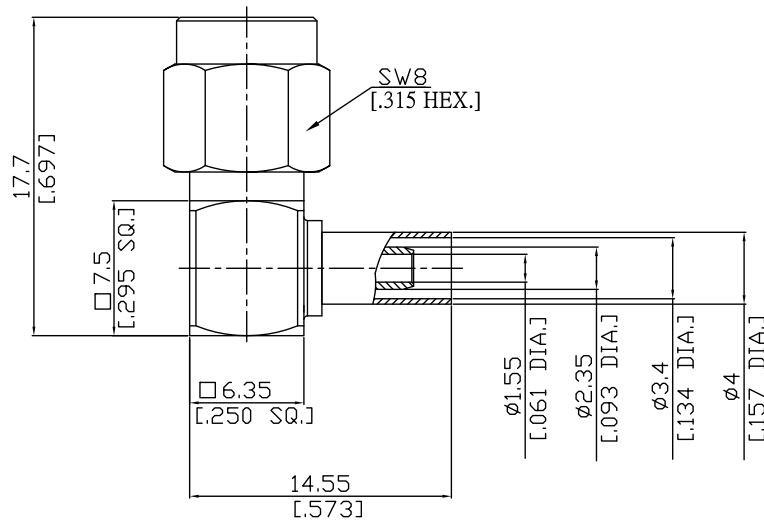




SMA Right Angle Cable Plug

SMA1C59-D316A/111



All dimensions are in mm [inch]

**Interface**

According to IEC 60169-15; MIL-C-39012; MIL-STD-348A/310

**Electrical Data**

Impedance 50 Ω  
 Frequency DC to 12.4 GHz  
 VSWR (Return Loss) ≤ 1.04 (≥ 34.15 dB), DC to 1 GHz  
 ≤ 1.05 (≥ 32.26 dB), 1 to 2.5 GHz  
 ≤ 1.20 (≥ 20.83 dB), 2.5 to 5 GHz  
 Insertion Loss ≤ 0.03 x √F (GHz) dB, DC to 5 GHz

- Limitations are possible due to the used cable type -

**Mechanical Data**

Coupling mechanisms Screw-lock  
 Centre contact Soldered  
 Cable entry Crimped

**Environmental Data**

Temperature range -65°C to +165°C  
 RoHS compliant

**Material And Plating**

Connector parts	Material	Plating
Centre contact	Brass	Gold plating(Nickel underplated)
Body	Brass	Gold plating(Nickel underplated)
Insulator	PTFE	
Gasket	Silicone Rubber	
Coupling nut	Brass	Gold plating(Nickel underplated)
Crimp ferrules	Brass	Gold plating(Nickel underplated)

**Suitable Cables**

RG 188, RG 316-d

**Packing**

Single or 100