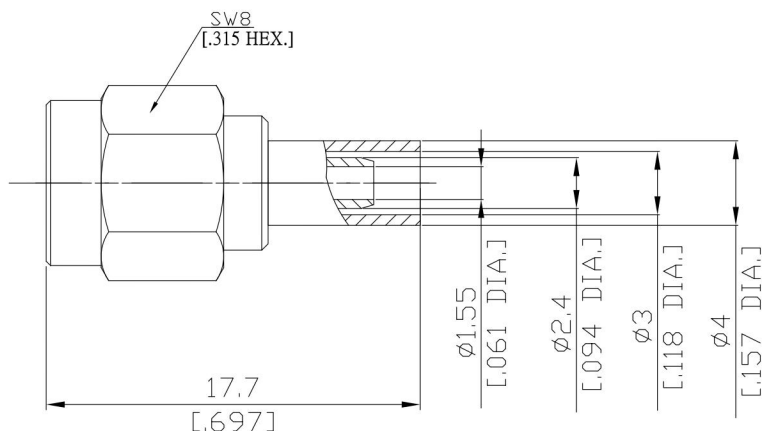


SMA Straight Cable Plug

SMA1C50-G316A/1XX



All dimensions are in mm [inch]  
Tolerances according to DIN ISO 2768-mH

**Interface**

According to IEC 60169-15; MIL-C-39012; MIL-STD-348A/310

**Electrical Data**

Impedance 50 Ω  
Frequency DC to 6 GHz  
VSWR (Return Loss) ≤ 1.20 (≥ 20.83 dB)  
Insertion Loss ≤ 0.03 x √F (GHz) dB

*- Limitations are possible due to the used cable type and manufacturing process -*

**Mechanical Data**

Coupling mechanisms Screw-lock  
Centre contact Crimped  
Cable entry Crimped

**Environmental Data**

Temperature range -65°C to +165°C  
RoHS compliant

**Material And Plating**

Connector parts	Material	Plating
Centre contact	Brass	Gold plating(Nickel underplated)
Body	Stainless Steel	Passivated
Insulator	PTFE	
Gasket	Silicone Rubber	
Coupling nut	Stainless Steel	Passivated
Crimp ferrules	Brass	Copper-Tin-Zinc Alloy

**Suitable Cables**

RG 316/U, RG 174 A/U, RG 188, G 02232, BELDEN 7805

**Packing**

Single or 100