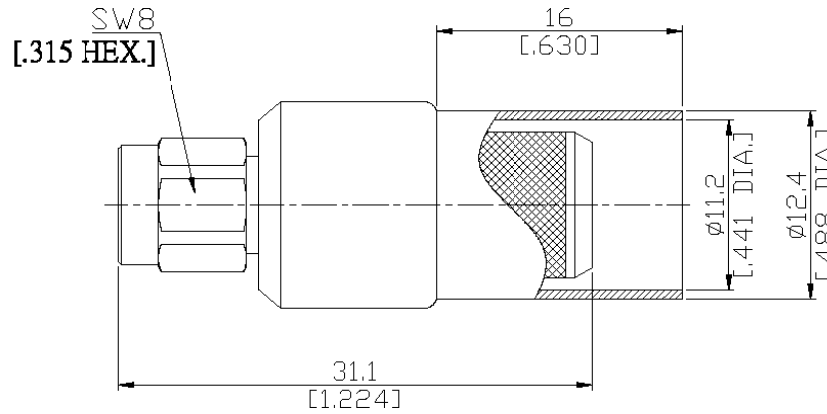




SMA Plug (Male) Cable Crimp Connector

SMA1C50-G214B/144



All dimensions are in mm [inch]  
Tolerances according to DIN ISO 2768-mH

**Interface**

According to IEC 60169-15; MIL-STD-348B/310

**Electrical Data**

Impedance 50 Ω  
Frequency DC to 6 GHz  
VSWR (Return loss) ≤ 1.20 (≥ 20.83 dB)

- Limitations are possible due to the used cable type and manufacturing method -

**Mechanical Data**

Coupling mechanisms Screw-lock  
Centre contact Solder or Crimp  
Cable entry Crimp

**Environmental Data**

Temperature range -65°C to +165°C  
RoHS compliant  
REACH compliant

**Material And Plating**

Connector parts	Material	Plating
Centre contact	Brass	Gold plating(Nickel underplated)
Body	Brass	Copper-Tin-Zinc Alloy
Insulator	PTFE	
Gasket	Silicone Rubber	
Coupling nut	Brass	Copper-Tin-Zinc Alloy

**Suitable Cables**

RG-9, RG-214, RG-225, RG-393

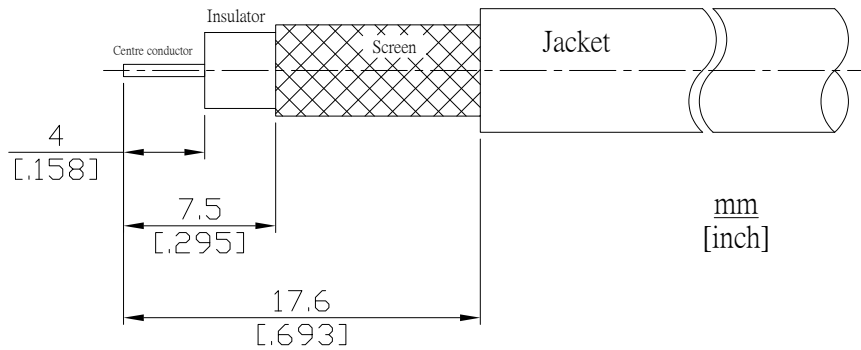
**Packing**

Single or 100

SMA Plug (Male) Cable Crimp Connector

SMA1C50-G214B/144

**Cable Stripping Dimensions**



**Crimp Dimensions [HEX]**

Crimp ferrule 10.90mm [.429 inch]  
Centre contact 2.54mm [.100 inch]