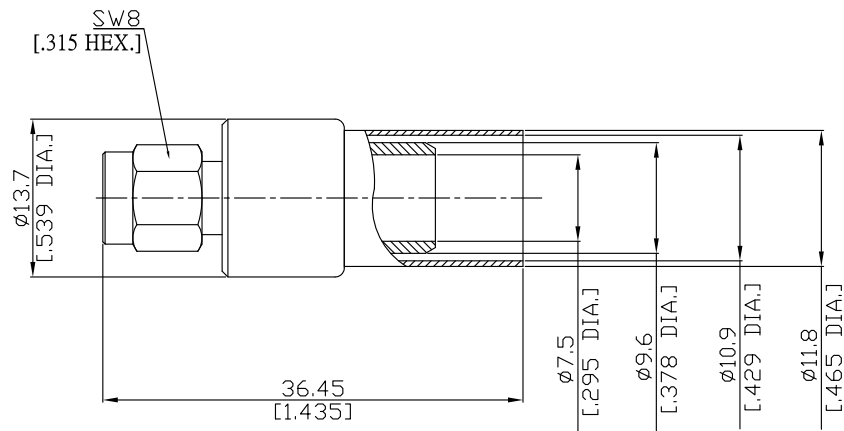


SMA Straight Cable Plug

SMA1C50-G214A/144



All dimensions are in mm [inch]
Tolerances according to DIN ISO 2768-mH

Interface
According to IEC 60169-15; MIL-C-39012; MIL-STD-348A/310

Electrical Data
Impedance 50 Ω
Frequency DC to 11 GHz
VSWR (Return Loss) ≤ 1.09 (≥ 27.3 dB), DC to 2.5 GHz
≤ 1.12 (≥ 24.9 dB), 2.5 to 4 GHz
≤ 1.22 (≥ 20.1 dB), 4 to 6 GHz
Insertion Loss ≤ 0.05 dB, DC to 6 GHz

- Digressions are possible due to the used cable type and manufacturing process -

Mechanical Data
Coupling mechanisms Screw-lock
Centre contact Soldered or Crimped
Cable entry Crimped

Environmental Data
Temperature range -65°C to +165°C
RoHS compliant

Material And Plating

Connector parts	Material	Plating
Centre contact	Brass	Gold plating(Nickel underplated)
Body	Brass	Copper-Tin-Zinc Alloy
Insulator	PTFE	
Gasket	Silicone Rubber	
Coupling nut	Brass	Copper-Tin-Zinc Alloy
Crimp ferrules	Brass	Copper-Tin-Zinc Alloy

Suitable Cables
RG-214, RG-225, RG-393

Packing
Single or 100